



European Technical Approval ETA-12/0042

English translation prepared by DIBt - Original version in German language

Handelsbezeichnung <i>Trade name</i>	Würth Kunststoffdübel ZEBRA Shark W-ZX <i>Würth plastic anchor ZEBRA Shark W-ZX</i>
Zulassungsinhaber <i>Holder of approval</i>	Adolf Würth GmbH & Co. KG Reinhold-Würth-Straße 12-17 74653 Künzelsau DEUTSCHLAND
Zulassungsgegenstand und Verwendungszweck <i>Generic type and use of construction product</i>	Kunststoffdübel als Mehrfachbefestigung von nichttragenden Systemen zur Verankerung im Beton und Mauerwerk <i>Plastic anchor for multiple use in concrete and masonry for non- structural applications</i>
Geltungsdauer: <i>Validity:</i>	vom <i>from</i> bis <i>to</i>
Herstellwerk <i>Manufacturing plant</i>	Herstellwerk 2

Diese Zulassung umfasst
This Approval contains

34 Seiten einschließlich 23 Anhänge
34 pages including 23 annexes

Diese Zulassung ersetzt
This Approval replaces

ETA-12/0042 mit Geltungsdauer vom 01.03.2012 bis 01.03.2017
ETA-12/0042 with validity from 01.03.2012 to 01.03.2017

I LEGAL BASES AND GENERAL CONDITIONS

- 1 This European technical approval is issued by Deutsches Institut für Bautechnik in accordance with:
 - Council Directive 89/106/EEC of 21 December 1988 on the approximation of laws, regulations and administrative provisions of Member States relating to construction products¹, modified by Council Directive 93/68/EEC² and Regulation (EC) N° 1882/2003 of the European Parliament and of the Council³;
 - Gesetz über das In-Verkehr-Bringen von und den freien Warenverkehr mit Bauprodukten zur Umsetzung der Richtlinie 89/106/EWG des Rates vom 21. Dezember 1988 zur Angleichung der Rechts- und Verwaltungsvorschriften der Mitgliedstaaten über Bauprodukte und anderer Rechtsakte der Europäischen Gemeinschaften (Bauproduktengesetz - BauPG) vom 28. April 1998⁴, as amended by Article 2 of the law of 8 November 2011⁵;
 - Common Procedural Rules for Requesting, Preparing and the Granting of European technical approvals set out in the Annex to Commission Decision 94/23/EC⁶;
 - Guideline for European technical approval of "Plastic Anchors for Multiple Use in Concrete and Masonry for Non-structural Applications - Part 1: General", ETAG 020-01.
- 2 Deutsches Institut für Bautechnik is authorized to check whether the provisions of this European technical approval are met. Checking may take place in the manufacturing plant. Nevertheless, the responsibility for the conformity of the products to the European technical approval and for their fitness for the intended use remains with the holder of the European technical approval.
- 3 This European technical approval is not to be transferred to manufacturers or agents of manufacturers other than those indicated on page 1, or manufacturing plants other than those indicated on page 1 of this European technical approval.
- 4 This European technical approval may be withdrawn by Deutsches Institut für Bautechnik, in particular pursuant to information by the Commission according to Article 5(1) of Council Directive 89/106/EEC.
- 5 Reproduction of this European technical approval including transmission by electronic means shall be in full. However, partial reproduction can be made with the written consent of Deutsches Institut für Bautechnik. In this case partial reproduction has to be designated as such. Texts and drawings of advertising brochures shall not contradict or misuse the European technical approval.
- 6 The European technical approval is issued by the approval body in its official language. This version corresponds fully to the version circulated within EOTA. Translations into other languages have to be designated as such.

¹ Official Journal of the European Communities L 40, 11 February 1989, p. 12

² Official Journal of the European Communities L 220, 30 August 1993, p. 1

³ Official Journal of the European Union L 284, 31 October 2003, p. 25

⁴ *Bundesgesetzblatt Teil I 1998*, p. 812

⁵ *Bundesgesetzblatt Teil I 2011*, p. 2178

⁶ Official Journal of the European Communities L 17, 20 January 1994, p. 34

II SPECIFIC CONDITIONS OF THE EUROPEAN TECHNICAL APPROVAL

1 Definition of product/ products and intended use

1.1 Definition of the construction product

The Würth Plastic Anchor ZEBRA Shark in the sizes W-ZX 6, W-ZX 8, W-ZX 10, W-ZX 12 and W-ZX 14 is plastic anchor consisting of a plastic sleeve made of polyamide and an accompanying specific screw of galvanised steel or stainless steel.

The plastic sleeve is expanded by screwing in the specific screw which presses the sleeve against the wall of the drilled hole.

The installed anchor is shown in Annex 1.

1.2 Intended use

The anchor is intended to be used for anchorages for which requirements for safety in use in the sense of the Essential Requirement 4 of Council Directive 89/106/EEC shall be fulfilled and failure of the fixture represents an immediate risk to human life.

The anchor is to be used only for multiple fixing for non-structural applications.

The anchor is to be used for pre-positioned anchorages.

The base material may consist of use category "a, b, c and d" as given in the following Table:

Use category	Anchor type	Remarks
a	ZEBRA Shark W-ZX 6, W-ZX 8, W-ZX 10, W-ZX 12 and ZEBRA Shark W-ZX 14	<ul style="list-style-type: none"> Reinforced or unreinforced normal weight concrete Strength class C12/15 at minimum and C50/60 at maximum according to EN 206-1:2000-12 Cracked and non-cracked concrete
	W-ZX 10	<ul style="list-style-type: none"> Precast prestressed hollow core elements \geq C30/37
b	ZEBRA Shark W-ZX 10	<ul style="list-style-type: none"> Masonry walls according to Annex 5 Mortar strength class \geq M 2,5 according to EN 998-2:2003
c	ZEBRA Shark W-ZX 10	<ul style="list-style-type: none"> Masonry walls according to Annex 6 Mortar strength class \geq M 2,5 according to EN 998-2:2003
d	ZEBRA Shark W-ZX 10	<ul style="list-style-type: none"> Autoclaved aerated concrete AAC 4 to AAC 7 according to EN 771-4

In addition to the specific clauses relating to dangerous substances contained in this European technical approval, there may be other requirements applicable to the products falling within its scope (e. g. transposed European legislation and national laws, regulations and administrative provisions). In order to meet the provisions of the Construction Products Directive, these requirements need also to be complied with, when and where they apply.

3 Evaluation and attestation of conformity and CE marking

3.1 System of attestation of conformity

According to the decision 97/463/EG of the European Commission⁸ the system 2(ii) (referred to as system 2+) of attestation of conformity applies.

This system of attestation of conformity is defined as follows.

System 2+: Declaration of conformity of the product by the manufacturer on the basis of:

- (a) Tasks for the manufacturer:
 - (1) initial type-testing of the product;
 - (2) factory production control;
 - (3) testing of samples taken at the factory in accordance with a prescribed control plan.
- (b) Tasks for the approved body:
 - (4) certification of factory production control on the basis of:
 - initial inspection of factory and of factory production control;
 - continuous surveillance, assessment and approval of factory production control.

3.2 Responsibilities

3.2.1 Tasks of the manufacturer

3.2.1.1 Factory production control

The manufacturer shall exercise permanent internal control of production. All the elements, requirements and provisions adopted by the manufacturer shall be documented in a systematic manner in the form of written policies and procedures, including records of results performed. This production control system shall insure that the product is in conformity with this European technical approval.

The manufacturer may only use raw materials stated in the technical documentation of this European technical approval.

The factory production control shall be in accordance with the control plan which is part of the technical documentation of this European technical approval. The control plan is laid down in the context of the factory production control system operated by the manufacturer and deposited at Deutsches Institut für Bautechnik.⁹

The results of factory production control shall be recorded and evaluated in accordance with the provisions of the control plan.

3.2.1.2 Other tasks of manufacturer

The manufacturer shall, on the basis of a contract, involve a body which is approved for the tasks referred to in section 3.1 in the field of anchors in order to undertake the actions laid down in section 3.2.2. For this purpose, the control plan referred to in sections 3.2.1.1 and 3.2.2 shall be handed over by the manufacturer to the approved body involved.

The manufacturer shall make a declaration of conformity, stating that the construction product is in conformity with the provisions of this European technical approval.

⁸ Official Journal of the European Communities L 198 of 25.07.1997.

⁹ The control plan is a confidential part of the documentation of the European technical approval, but not published together with the ETA and only handed over to the approved body involved in the procedure of attestation of conformity. See section 3.2.2.

3.2.2 Tasks of approved bodies

The approved body shall perform the

- initial inspection of factory and of factory production control,
- continuous surveillance, assessment and approval of factory production control, in accordance with the provisions laid down in the control plan.

The approved body shall retain the essential points of its actions referred to above and state the results obtained and conclusions drawn in a written report.

The approved certification body involved by the manufacturer shall issue an EC certificate of conformity of the factory production control stating the conformity with the factory production control of this European technical approval.

In cases where the provisions of the European technical approval and its control plan are no longer fulfilled the certification body shall withdraw the certificate of conformity and inform Deutsches Institut für Bautechnik without delay.

3.3 CE marking

The CE marking shall be affixed on each packaging of the anchor. The letters "CE" shall be followed by the identification number of the approved certification body, where relevant, and be accompanied by the following additional information:

- the name and address of the producer (legal entity responsible for the manufacturer),
- the last two digits of the year in which the CE marking was affixed,
- the number of the EC certificate for the factory production control,
- the number of the European technical approval,
- the number of the guideline for European technical approval,
- use category "a, b, c and d".

4 Assumptions under which the fitness of the product for the intended use was favourably assessed

4.1 Manufacturing

The European technical approval is issued for the product on the basis of agreed data/information, deposited with Deutsches Institut für Bautechnik, which identifies the product that has been assessed and judged. Changes to the product or production process, which could result in this deposited data/information being incorrect, should be notified to Deutsches Institut für Bautechnik before the changes are introduced. Deutsches Institut für Bautechnik will decide whether or not such changes affect the ETA and consequently the validity of the CE marking on the basis of the ETA and if so whether further assessment or alterations to the ETA shall be necessary.

4.2 Design of anchorages

4.2.1 General

Fitness for the intended use of the anchor is given under the following conditions:

- The design of anchorages is carried out in compliance with ETAG 020, Guideline for European technical approval of "Plastic Anchors for Multiple Use in Concrete and Masonry for Non-structural Applications", Annex C under the responsibility of an engineer experienced in anchorages.
- Verifiable calculation notes and drawings shall be prepared taking account of the loads to be anchored, the nature and strength of the base materials and the dimensions of the anchorage members as well as of the relevant tolerances.

- The anchor is to be used only for multiple fixing for non-structural applications.
- Therefore the design of the fixture may specify the number n_1 of fixing points to fasten the fixture and the number n_2 of anchors per fixing point. Furthermore the design value of actions N_{Sd} on a fixing point to a value $\leq n_3$ (kN) is specified up to which the strength and stiffness of the fixture are fulfilled and the load transfer in the case of excessive slip or failure of one anchor need not be taken into account in the design of the fixture.

The following default values for n_1 , n_2 and n_3 may be taken:

$$n_1 \geq 4; \quad n_2 \geq 1 \quad \text{and} \quad n_3 \leq 4,5 \text{ kN} \quad \text{or}$$

$$n_1 \geq 3; \quad n_2 \geq 1 \quad \text{and} \quad n_3 \leq 3,0 \text{ kN}.$$

- Shear loads acting on an anchor may be assumed to act without lever arm if both of the following conditions are fulfilled:
 - The fixture shall be made of metal and in the area of the anchorage be fixed directly to the base material either without an intermediate layer or with a levelling layer of mortar with a thickness ≤ 3 mm.
 - The fixture shall be in contact with the anchor over its entire thickness. (Therefore the diameter of clearance hole in the fixture d_f has to be equal or smaller than the value given in Annex 4, Table 3.)

If these two conditions are not fulfilled the lever arm is calculated according to ETAG 020, Annex C. The characteristic bending moment is given in Annex 4, Table 4.1 and 4.2.

4.2.2 Resistance in concrete (use category "a")

The characteristic values of resistance of the anchor for use in concrete are given in Annexes 4, 7 and 8. The design method is valid for cracked and non-cracked concrete.

The characteristic values of resistance of the anchor W-ZX for use in hollow core slabs are given in Annex 23.

4.2.3 Resistance in solid masonry (use category "b")

The characteristic values of resistance of the anchor ZEBRA Shark W-ZX 10 for use in solid masonry are given in Annex 13, Table 10.2.3, Annex 14, Table 10.3.3 and Annex 16, Table 10.5.3 and Annex 19 to 22. These values are independent of the load direction (tension, shear or combined tension and shear) and the mode of failure.

The characteristic resistances given in Annex 13, 14, 16 and 19 to 22 for use in solid masonry are only valid for the base material and the bricks according this tables or larger brick sizes and larger compressive strength of the masonry unit.

If smaller brick sizes are present on the construction site or if the mortar strength is smaller than the required value, the characteristic resistance of the anchor may be determined by job site tests according to 4.4.

4.2.4 Resistance in hollow or perforated masonry (use category "c")

The characteristic resistances for use in hollow or perforated masonry given in Annex 15, Table 10.4.3, Annex 17, Table 10.6.3 and Annex 18, Table 10.7.3 are only valid for the bricks and blocks according to these tables regarding base material, size of the units, compressive strength and configuration of the voids.

These values are independent of the load direction (tension, shear or combined tension and shear) and the mode of failure and are valid for the given h_{nom} according to Annex 15, Table 10.4.2, Annex 17, Table 10.6.2 and Annex 18, Table 10.7.2.

The influence of larger embedment depths and/or different bricks and blocks (according to Annex 15, 17, and 18 regarding h_{nom} , base material, size of the units, compressive strength and configuration of the voids) has to be detected by job site tests according to 4.4.

4.2.5 Resistance in autoclaved aerated concrete (AAC – use category "d")

The characteristic values of resistance of the anchor for use in non-cracked autoclaved aerated concrete (AAC) blocks are given in Annex 12, Table 10.1.3.

These values are independent of the load direction (tension, shear or combined tension and shear) and the mode of failure.

The anchor shall not be installed and used in water saturated aerated concrete

4.2.6 Specific conditions for the design method in solid masonry, hollow or perforated masonry and AAC

The mortar strength class of the masonry has to be M 2,5 according to EN 998-2:2003 at minimum.

The characteristic resistance F_{Rk} for a single plastic anchor may also be taken for a group of two or four plastic anchors with a spacing equal or larger than the minimum spacing s_{min} .

The distance between single plastic anchors or a group of anchors should be $a \geq 250$ mm.

If the vertical joints of the wall are designed not to be filled with mortar then the design resistance N_{Rd} has to be limited to 2,0 kN to ensure that a pull-out of one brick out of the wall will be prevented. This limitation can be omitted if interlocking units are used for the wall or when the joints are designed to be filled with mortar.

If the joints of the masonry are not visible the characteristic resistance F_{Rk} has to be reduced with the factor $\alpha_j = 0,5$.

If the joints of the masonry are visible (e.g. unplastered wall) following has to be taken into account:

- The characteristic resistance F_{Rk} may be used only, if the wall is designed such that the joints are to be filled with mortar.
- If the wall is designed such that the joints are not to be filled with mortar then the characteristic resistance F_{Rk} may be used only, if the minimum edge distance c_{min} to the vertical joints is observed. If this minimum edge distance c_{min} can not be observed then the characteristic resistance F_{Rk} has to be reduced with the factor $\alpha_j = 0,5$.

4.2.7 Characteristic values, spacing and dimensions of anchorage member

The minimum spacing and dimensions of anchorage member according to Annex 10, Table 8 and Annex 11, Table 9 shall be observed.

4.2.8 Displacement behaviour

The displacements under tension and shear loading in concrete and autoclaved aerated concrete are given in Annex 9, Table 7.1 and 7.2.

4.3 Installation of anchor

The fitness for use of the anchor can only be assumed if the following conditions of installation are met:

- Anchor installation carried out by appropriately qualified personnel under the supervision of the person responsible for technical matters on site.
- Use of the anchor only as supplied by the manufacturer without exchanging any component of the anchor.
- Anchor installation in accordance with the manufacturer's specifications and drawings using the tools indicated in this European technical approval.
- Checks before placing the anchor, to ensure that the characteristic values of the base material in which the anchor is to be placed, is identical with the values, which the characteristic loads apply for.
- Observation of the drill method according Annex 12 to 23 (Drill holes in hollow or perforated masonry may only be drilled using the rotary drill. Other drilling methods may also be used if job-site tests according to 4.4 evaluate the influence of hammer or impact drilling.)
- Placing drill holes without damaging the reinforcement.
- In the absence of national regulations, it is recommended that the distance between the side of the drill hole and the outside of prestressed reinforcement is at least 50 mm; for determining the position of the prestressed reinforcement in the structure, a suitable device (e.g. reinforcement detector) should be used. Annex 23 show the admissible anchor positions.
- Holes to be cleaned of drilling dust.
- In case of aborted hole: New drilling at a minimum distance away of twice the depth of the aborted hole or smaller distance if the aborted drill hole is filled with high strength mortar.
- The anchor is to be used for pre-positioned anchorages:
- Depending on the range of the thickness of fixture a defined combination of plastic sleeve and special screw length is given in Annex 3, Table 1. The plastic sleeve is inserted directly into the base material by slight hammer blows and the special screw is screwed in through the fixture until the head of the screw touches the fixture. The anchor is correctly mounted, if there is no turn-through of the plastic sleeve in the drill hole and if slightly move on turning of the screw is impossible after the complete turn-in of the screw.
- Temperature during installation of the anchor ≥ -20 °C (plastic sleeve and base material).

4.4 Job site tests according to ETAG 020, Annex B

4.4.1 General

In the absence of national requirements the characteristic resistance of the plastic anchor may be determined by job site tests, if the plastic anchor has already characteristic values given in Annex 7, 8, 12 to Annex 23 for the same base material as it is present on the construction works.

Furthermore job site tests for use in (different) solid masonry are possible only if the plastic anchor has already characteristic values given in Annex 13, 14, 16, 19, 20, 21 and 22 for use in solid masonry.

Job site tests for use in (different) hollow or perforated masonry are possible only if the plastic anchor has already characteristic values given in Annex 15, 17, and 18 for use in hollow or perforated masonry.

Furthermore job site tests for use in different concrete and different autoclaved aerated concrete only if the plastic anchor has already characteristic values given in Annex 7, 8 and 12 for use in the equivalent base material.

Job site tests are also possible, if another drill method is been used as it is given in Annex 15, 17 and 18.

The characteristic resistance to be applied to a plastic anchor should be determined by means of at least 15 pull-out tests carried out on the construction work with a centric tension load acting on the plastic anchor. These tests may also performed in a laboratory under equivalent conditions as used on construction work

Execution and evaluation of the tests as well as issue of the test report and determination of the characteristic resistance should be supervised by the person responsible for execution of works on site and be carried out by a competent person.

Number and position of the plastic anchors to be tested should be adapted to the relevant special conditions of the construction work in question and, for example, in the case of blind and larger areas be increased such that a reliable information about the characteristic resistance of the plastic anchor embedded in the base material in question can be derived. The tests should take account of the unfavourable conditions of practical execution.

4.4.2 Assembly

The plastic anchor to be tested shall be installed (e. g. preparation of drill hole, drilling tool to be used, drill bit, type of drilling hammer or rotation, thickness of fixture) and as far as spacing and edge distances are concerned be distributed in the same way as foreseen for the intended use.

Depending on the drilling tool hard metal hammer drill bits or hard metal percussion drill bits, respectively, according to ISO 5468 should be used. New drill bits should be used for one test series or drill bits with

- $d_{cut,m} = 6,2 \text{ mm} < d_{cut} \leq 6,4 \text{ mm} = d_{cut,max}$ (ZEBRA Shark W-ZX 6)
- $d_{cut,m} = 8,25 \text{ mm} < d_{cut} \leq 8,45 \text{ mm} = d_{cut,max}$ (ZEBRA Shark W-ZX 8)
- $d_{cut,m} = 10,25 \text{ mm} < d_{cut} \leq 10,45 \text{ mm} = d_{cut,max}$ (ZEBRA Shark W-ZX 10)
- $d_{cut,m} = 12,25 \text{ mm} < d_{cut} \leq 12,5 \text{ mm} = d_{cut,max}$ (ZEBRA Shark W-ZX 12)
- $d_{cut,m} = 14,25 \text{ mm} < d_{cut} \leq 14,5 \text{ mm} = d_{cut,max}$ (ZEBRA Shark W-ZX 14)

4.4.3 Execution of test

The test rig used for the pull-out tests shall provide a continuous slow increase of the load, controlled by a calibrated load cell. The load shall apply perpendicular to the surface of the base material and shall be transmitted to the anchor via a hinge. The reaction forces shall be transmitted into the base material such that possible breakout of the concrete is not restricted. This condition is considered as fulfilled, if the support reaction forces are transmitted at a distance of at least 150 mm from the plastic anchors. The load shall be increased continuously in a way that the ultimate load is reached after about 1 minute. The load is measured when the ultimate load (N_1) is achieved.

If no pull-out failure occurs, other test methods are needed, e.g. proof-loading.

4.4.4 Test report

The test report shall include all information necessary to assess the resistance of the tested anchor. It shall be given to the person responsible for the design of the fastening and shall be included in the construction dossier.

The minimum data required are:

- Name of product
- Construction site, owner of building, date and place of tests, air temperature
- Test rig
- Type of structure to be fixed
- Base material (e.g. strength class)

- Masonry (type of brick, strength class, all dimensions of bricks, mortar group if possible); visual assessment of masonry (flush joints, joint clearance, regularity)
- Plastic anchor and special screw
- value of the cutting diameter of hard metal hammer-drill bits, measured before and after drilling if no new drill bits are used
- Results of tests including the indication of value N_1 ; mode of failure
- Tests carried out or supervised by ...; signature

4.4.5 Evaluation of test results

The characteristic resistance F_{RK1} is derived from the measured values N_1 as follows

$$F_{RK1} = 0,5 \cdot N_1$$

The characteristic resistance F_{RK1} has to be equal or smaller than the characteristic resistance F_{RK} which is given in the ETA for the equivalent base material

$$N_1 = \text{the mean value of the five smallest measured values at ultimate load}$$

In absence of national regulations the partial safety factors for the resistance of the plastic anchor may be taken as $\gamma_{Mc} = 2.5$ for use in masonry (only ZEBRA Shark W-ZX 10), $\gamma_{MAAC} = 2.0$ for use in AAC (only ZEBRA Shark W-ZX) and $\gamma_{Mc} = 1.8$ for use in concrete.

5 Indications to the manufacturer

5.1 Responsibility of the manufacturer

It is in the responsibility of the manufacturer to ensure that the information on the specific conditions according to 1 and 2 including Annexes referred to 4 is given to those who are concerned. This information may be made by reproduction of the respective parts of the European Technical Approval. In addition, all installation data shall be shown clearly on the packaging and/or on an enclosed instruction sheet, preferably using illustrations.

The minimum data required are:

- base material for the intended use,
- ambient temperature of the base material during installation of the anchor,
- drill bit diameter (d_{cut}),
- overall anchor embedment depth in the base material (h_{nom}),
- minimum hole depth (h_0),
- information on the installation procedure,
- identification of the manufacturing batch.

All data shall be presented in a clear and explicit form.

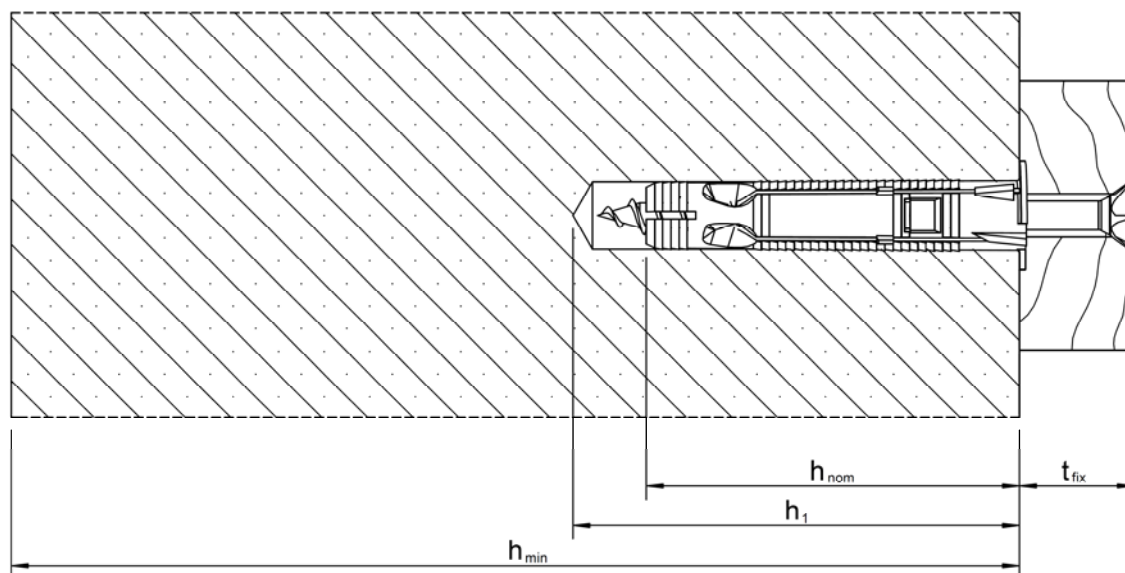
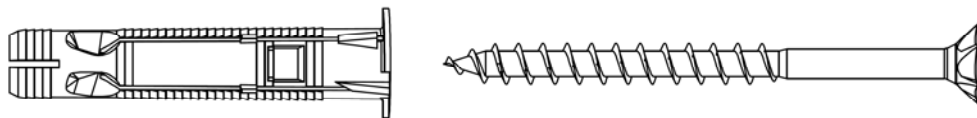
5.2 Packaging, transport and storage

The anchor shall only be packaged and supplied as a complete unit.

The anchor shall be stored under normal climatic conditions in its original light-proof packaging. Before installation, it shall not be extremely dried nor frozen.

Andreas Kummerow
 p. p. Head of Department

beglaubigt:
 Aksünger



Intended use

Plastic anchor for pre-positioned anchorages for multiple use in cracked or non-cracked concrete

Legend:

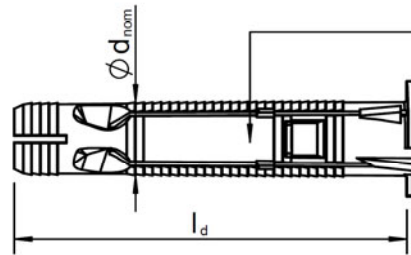
- h_{nom} : Overall plastic anchor embedment depth in the base material
- h_1 : Depth of drilled hole to deepest point
- h_{min} : Thickness of member
- t_{fix} : Thickness of fixture


Würth plastic anchor ZEBRA Shark W-ZX

Intended use

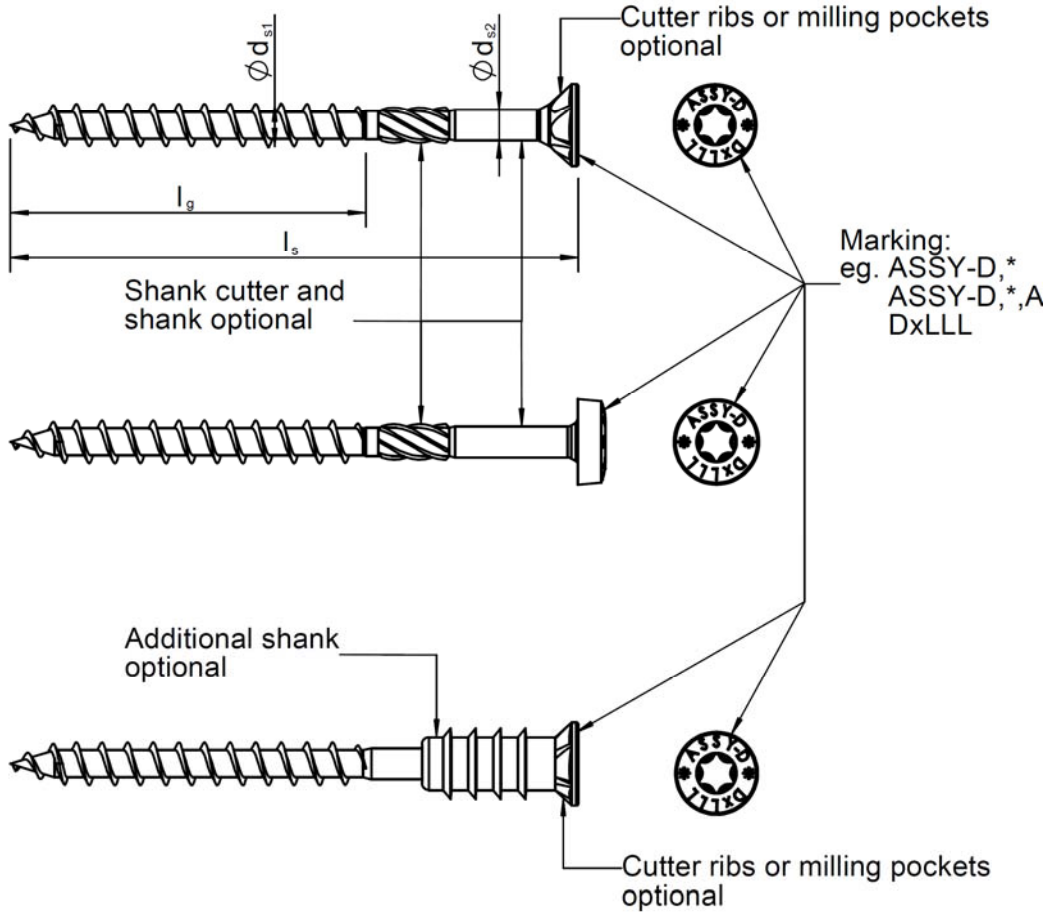
Annex 1

Plastic sleeve ZEBRA Shark W-ZX



Marking:
Identifying mark of the producer
Anchor type
Diameter
eg.  ZEBRA W-ZX 10

Special screw ASSY-D



Würth plastic anchor ZEBRA Shark W-ZX

Product, special screw

Annex 2

Table 1: Anchor dimensions

Anchor type		ZEBRA Shark W-ZX				
		6	8	10	12	14
Overall plastic anchor embedment depth	$h_{nom} \geq$ [mm]	34	45	55	65	75
Plastic sleeve						
Plastic sleeve diameter	$\varnothing d_{nom} =$ [mm]	6	8	10	12	14
Length of plastic sleeve	l_d [mm]	35	46	56	66	76
Flat collar diameter	$\varnothing d_k =$ [mm]	10	13	16	19.5	22.5
Thickness of flat collar	$l_k \geq$ [mm]	0.5	0.7	0.8	1	1.2
Special screw ASSY-D						
Screw diameter	$d_{s1} =$ [mm]	5	6	8	10	12
Screw diameter	$d_{s2} =$ [mm]	3.7	4.4	5.8	7.3	8.3
Length of screw	$l_s =$ [mm]	$t_{fix} + 40$	$t_{fix} + 50$	$t_{fix} + 60$	$t_{fix} + 70$	$t_{fix} + 80$
Length of thread	$l_g \geq$ [mm]	40	50	60	70	80
Thickness of fixture for screw $l_s = 50$ mm	t_{fix} [mm]	1-10	-	-	-	-
Thickness of fixture for screw $l_s = 60$ mm	t_{fix} [mm]	1-20	1-10	-	-	-
Thickness of fixture for screw $l_s = 70$ mm	t_{fix} [mm]	10-30	1-20	1-10	-	-
Thickness of fixture for screw $l_s = 80$ mm	t_{fix} [mm]	20-40	10-30	1-20	1-10	-
Thickness of fixture for screw $l_s = 90$ mm	t_{fix} [mm]	30-50	20-40	10-30	1-20	1-10
Thickness of fixture for screw $l_s = 100$ mm	t_{fix} [mm]	40-60	30-50	20-40	1-30	1-20
Thickness of fixture for screw $l_s = 110$ mm	t_{fix} [mm]	50-70	40-60	30-50	10-40	1-30
Thickness of fixture for screw $l_s = 120$ mm	t_{fix} [mm]	60-80	50-70	40-60	20-50	10-40
Thickness of fixture for screw $l_s = 130$ mm	t_{fix} [mm]	70-90	60-80	50-70	30-60	20-50
Thickness of fixture for screw $l_s = 140$ mm	t_{fix} [mm]	80-100	70-90	60-80	40-70	30-60
Thickness of fixture for screw $l_s = 150$ mm	t_{fix} [mm]	90-110	80-100	70-90	50-80	40-70
Thickness of fixture for screw $l_s = 160$ mm	t_{fix} [mm]	100-120	90-110	80-100	60-90	50-80
Thickness of fixture for screw $l_s = 170$ mm	t_{fix} [mm]	110-130	100-120	90-110	70-100	60-90
Thickness of fixture for screw $l_s = 200$ mm	t_{fix} [mm]	140-160	130-150	120-140	100-130	90-120
Thickness of fixture for screw $l_s = 220$ mm	t_{fix} [mm]	160-180	150-170	140-160	120-150	110-140
Thickness of fixture for screw $l_s = 240$ mm	t_{fix} [mm]	180-200	170-190	160-180	140-180	130-160

Würth plastic anchor ZEBRA Shark W-ZX

Anchor dimensions

Annex 3

Table 2: Materials

Designation	Material
Plastic sleeve	Polyamide, colour brown
Special screw	Steel according to DIN EN ISO 4042, galvanised
	Stainless steel 1.4401, 1.4571 or 1.4578

Table 3: Installation parameters

Anchor type		ZEBRA Shark W-ZX				
		6	8	10	12	14
Drill hole diameter	$d_0 =$ [mm]	6	8	10	12	14
Overall plastic anchor embedment depth in the base material ¹⁾	$h_{nom} \geq$ [mm]	34	45	55	65	75
Cutting diameter of drill bit	$d_{cut} \leq$ [mm]	6.4	8.45	10.45	12.45	14.45
Depth of drilled hole to deepest point ¹⁾	$h_1 \geq$ [mm]	$l_s + 5 \text{ mm} - t_{fix}$				
Diameter of clearance hole in the fixture	$d_f \leq$ [mm]	5.5	6.5	8.5	10.5	12.5

¹⁾ See Annex 1

Table 4.1: Characteristic bending resistance of the special screw, galvanised steel in concrete and masonry (only ZEBRA Shark W-ZX 10)

		Galvanised steel, ZEBRA Shark W-ZX				
		6	8	10	12	14
Characteristic bending resistance	$M_{Rk,s}$ [Nm]	2.54	5.17	12.50	21.92	30.96
Partial safety factor	γ_{Ms} ¹⁾ [mm]	1.25	1.25	1.25	1.25	1.25

¹⁾ In absence of other national regulations

Table 4.2: Characteristic bending resistance of the special screw, stainless steel in concrete and masonry (only ZEBRA Shark W-ZX 10)

		Stainless steel, ZEBRA Shark W-ZX				
		6	8	10	12	14
Characteristic bending resistance	$M_{Rk,s}$ [Nm]	2.23	4.53	10.94	19.18	27.09
Partial safety factor	γ_{Ms} ¹⁾ [mm]	1.56	1.56	1.56	1.56	1.56

¹⁾ In absence of other national regulations

Würth plastic anchor ZEBRA Shark W-ZX

Materials; Installation parameters; Characteristic bending resistance

Annex 4

Table 5.1: Base material: Concrete and solid masonry (only ZEBRA Shark W-ZX 10)

Base material	Format	Measurement [mm]	Minimum compressive strength [N/mm ²]	Bulk density class [kg/dm ³]	Annex
Concrete (use category "a")					
Concrete ≥ C12/15					Annex 7, 8
Solid masonry (use category "b")					
Solid brick Mz acc. to DIN 105 EN 771-1 e.g. Wienerberger GmbH	≥ NF	≥ 240x115x71	10 20 28 36	≥ 1.8	Annex 13 771-1-020
	≥ 3DF	240x175x113	8 12 20		Annex 14 771-1-041
Sand-lime solid brick KS acc. to DIN 106 EN 771-2	≥ NF	≥ 240x115x71	10 20	≥ 2.0	Annex 16 771-2-011
Concrete solid block Vn and Vbn acc. to DIN 18153-100 EN 771-3 Bisotherm GmbH	≥ NF	≥ 240x115x71	8 10 20 28	≥ 2.0	Annex 19 771-3-004
Lightweight concrete solid block V and Vbl, e.g. Bisophon acc. to DIN V 18152-100 EN 771-3 Bisotherm GmbH	≥ 3DF	≥ 240x175x113	8 10 20	≥ 2.2	Annex 20 771-3-017
Lighweight concrete solid block V and Vbl, e.g. Bisophon acc. DIN V 18152-100 EN 771-3 Bisotherm GmbH	≥ 3DF	≥ 240x175x113	4 6	≥ 1.2	Annex 21 771-3-016
Lighweight concrete solid block V and Vbl, e.g. BisoBims acc. DIN V 18152-100 EN 771-3 Bisotherm GmbH	≥ NF	≥ 240x115x71	4	≥ 1.0	Annex 22 771-3-007

Würth plastic anchor ZEBRA Shark W-ZX

Base material, format, measurement, minimum compressive strength, annex

Annex 5

Table 5.2: Base material: Autoclaved aerated concrete (only ZEBRA Shark W-ZX 10), hollow or perforated masonry (only ZEBRA Shark W-ZX 10) and precast prestressed hollow core slabs (only ZEBRA Shark W-ZX 10)

Base material	Format	Measurement [mm]	Minimum compressive strength [N/mm ²]	Bulk density class [kg/dm ³]	Annex
Hollow or perforated masonry (use category "c")					
Hollow brick HLz acc. to DIN 105-1 EN 771-1 e.g. Wienerberger GmbH e.g. Schlagmann Baustoffwerke GmbH & Co. KG	≥ 12DF	≥ 373x240x238	4 6 8	≥ 1.2	Annex 15 771-1-036
Sand-lime perforated brick KS L acc. to DIN 106 EN 771-2	≥ 2DF	≥ 240x115x113	6 8 12 16	≥ 1.4	Annex 17 771-3-004
Sand-lime perforated brick KS L acc. to DIN 106 EN 771-2	≥ 8DF	≥ 248x200x238	6 8 10 12	≥ 1.4	Annex 18 771-3-013
Autoclaved aerated concrete (use category "d")					
Autoclaved aerated concrete AAC acc. to DIN 4223 EN 771-4		≥ 499x175x249	4 - 6	≥ 0.3	Annex 12
Precast prestressed hollow core slabs acc. to DIN EN 1168					
			≥ C30/37		Annex 23

Würth plastic anchor ZEBRA Shark W-ZX

Base material, format, measurement, minimum compressive strength, annex

Annex 6

Table 6.1: Characteristic resistance, galvanised steel for use in concrete

Anchor type		Galvanised steel, ZEBRA Shark W-ZX				
		6	8	10	12	14
Failure of expansion element (special screw)						
Overall plastic anchor embedment depth	h_{nom} [mm]	34	45	55	65	75
Characteristic tension resistance	$N_{Rk,s}$ [kN]	5.65	9.07	16.34	23.76	29.91
Partial safety factor	$\gamma_{Ms}^{1)}$ [-]	1.5	1.5	1.5	1.5	1.5
Characteristic shear resistance	$V_{Rk,s}$ [kN]	2.83	4.54	8.17	11.88	14.96
Partial safety factor	$\gamma_{Ms}^{1)}$ [-]	1.25	1.25	1.25	1.25	1.25
Pull-out failure (plastic sleeve)						
Concrete \geq C16/20						
Characteristic resistance 24°C ²⁾ / 40°C ³⁾	$N_{Rk,p}$ [kN]	0.9	1.2	3.5	4.5	5.5
Partial safety factor	$\gamma_{Mc}^{1)}$ [-]	1.8	1.8	1.8	1.8	1.8
Concrete = C12/15						
Characteristic resistance 24°C ²⁾ / 40°C ³⁾	$N_{Rk,p}$ [kN]	0.75	0.9	2.5	4.0	4.5
Partial safety factor	$\gamma_{Mc}^{1)}$ [-]	1.8	1.8	1.8	1.8	1.8
Concrete cone failure and concrete edge failure for single anchor and anchor group						
Tension load⁴⁾						
$N_{Rk,c} = 7.2 \cdot \sqrt{f_{ck,cube}} \cdot h_{ef}^{1.5} \cdot \frac{c}{c_{cr,N}} = N_{Rk,p} \cdot \frac{c}{c_{cr,N}}$		with: $h_{ef}^{1.5} = \frac{N_{Rk,p}}{7.2 \cdot \sqrt{f_{ck,cube}}}$ $\frac{c}{c_{cr,N}} \leq 1$				
Shear load⁴⁾						
$V_{Rk,c} = 0.45 \cdot \sqrt{d_{nom}} \cdot (h_{nom} / d_{nom})^{0.2} \cdot \sqrt{f_{ck,cube}} \cdot c_1^{1.5} \cdot \left(\frac{c_2}{1.5c_1}\right)^{0.5} \cdot \left(\frac{h}{1.5c_1}\right)^{0.5}$		with: $\left(\frac{c_2}{1.5 \cdot c_1}\right)^{0.5} \leq 1$ $\left(\frac{h}{1.5 \cdot c_1}\right)^{0.5} \leq 1$				
c_1	edge distance closest to the edge in loading direction					
c_2	edge distance perpendicular to direction 1					
$f_{ck,cube}$	nominal characteristic concrete compression strength (based on cubes), values for C50/60 at maximum					
Partial safety factor	$\gamma_{Mc1}^{1)}$ [-]	1.8				

- 1) In absence of other national regulations
- 2) Maximum long term temperature
- 3) Maximum short term temperature
- 4) The design method according to ETAG 020, Annex C is to be used

Würth plastic anchor ZEBRA Shark W-ZX

Characteristic resistance for use in concrete, galvanised steel

Annex 7

Table 6.2: Characteristic resistance, galvanised steel for use in concrete

Anchor type			Stainless steel, ZEBRA Shark W-ZX				
			6	8	10	12	14
Failure of expansion element (special screw)							
Overall plastic anchor embedment depth	h_{nom}	[mm]	34	45	55	65	75
Characteristic tension resistance	$N_{Rk,s}$	[kN]	4.95	8.37	15.44	20.79	26.17
Partial safety factor	$\gamma_{Ms}^{1)}$	[-]	1.87	1.87	1.87	1.87	1.87
Characteristic shear resistance	$V_{Rk,s}$	[kN]	2.47	3.97	7.15	10.40	13.09
Partial safety factor	$\gamma_{Ms}^{1)}$	[-]	1.56	1.56	1.56	1.56	1.56
Pull-out failure (plastic sleeve)							
Concrete \geq C16/20							
Characteristic resistance $24^{\circ}C^{2)}/40^{\circ}C^{3)}$	$N_{Rk,p}$	[kN]	0.9	1.2	3.5	4.5	5.5
Partial safety factor	$\gamma_{Mc}^{1)}$	[-]	1.8	1.8	1.8	1.8	1.8
Concrete = C12/15							
Characteristic resistance $24^{\circ}C^{2)}/40^{\circ}C^{3)}$	$N_{Rk,p}$	[kN]	0.75	0.9	2.5	4.0	4.5
Partial safety factor	$\gamma_{Mc}^{1)}$	[-]	1.8	1.8	1.8	1.8	1.8
Concrete cone failure and concrete edge failure for single anchor and anchor group							
Tension load⁴⁾							
$N_{Rk,c} = 7.2 \cdot \sqrt{f_{ck,cube}} \cdot h_{ef}^{1.5} \cdot \frac{c}{c_{cr,N}} = N_{Rk,p} \cdot \frac{c}{c_{cr,N}}$			with: $h_{ef}^{1.5} = \frac{N_{Rk,p}}{7.2 \cdot \sqrt{f_{ck,cube}}}$ $\frac{c}{c_{cr,N}} \leq 1$				
Shear load⁴⁾							
$V_{Rk,c} = 0.45 \cdot \sqrt{d_{nom}} \cdot (h_{nom} / d_{nom})^{0.2} \cdot \sqrt{f_{ck,cube}} \cdot c_1^{1.5} \cdot \left(\frac{c_2}{1.5c_1}\right)^{0.5} \cdot \left(\frac{h}{1.5c_1}\right)^{0.5}$			with: $\left(\frac{c_2}{1.5 \cdot c_1}\right)^{0.5} \leq 1$ $\left(\frac{h}{1.5 \cdot c_1}\right)^{0.5} \leq 1$				
c_1	edge distance closest to the edge in loading direction						
c_2	edge distance perpendicular to direction 1						
$f_{ck,cube}$	nominal characteristic concrete compression strength (based on cubes), values for C50/60 at maximum						
Partial safety factor	$\gamma_{Mc1}^{1)}$	[-]	1.8				

- 1) In absence of other national regulations
- 2) Maximum long term temperature
- 3) Maximum short term temperature
- 4) The design method according to ETAG 020, Annex C is to be used

Würth plastic anchor ZEBRA Shark W-ZX

Characteristic resistance for use in concrete, stainless steel

Annex 8

Table 7.1: Displacements ¹⁾ under tension and shear loading in concrete

Anchor type	h_{nom} [mm]	Tension load			Shear load		
		$F_{Rk}^{2)}$ [kN]	δ_{N0} [mm]	$\delta_{N\infty}$ [mm]	$F_{Rk}^{2)}$ [kN]	δ_{V0} [mm]	$\delta_{V\infty}$ [mm]
ZEBRA Shark W-ZX 6	≥ 34	0.5	0.11	0.22	0.5	0.8	1.2
ZEBRA Shark W-ZX 8	≥ 45	0.5	0.13	0.26	0.6	1.99	2.99
ZEBRA Shark W-ZX 10	≥ 55	1.6	0.16	0.32	1.4	1.15	1.73
ZEBRA Shark W-ZX 12	≥ 65	2.4	0.35	0.7	2.4	1.77	2.66
ZEBRA Shark W-ZX 14	≥ 75	2.8	0.41	0.82	2.8	1.61	2.42

- 1) Valid for all ranges of temperatures
2) Intermediate values by linear interpolation

Table 7.2: Displacements ¹⁾ under tension and shear loading in autoclaved aerated concrete

Anchor type	h_{nom} [mm]	Tension load			Shear load		
		$F_{Rk}^{2)}$ [kN]	δ_{N0} [mm]	$\delta_{N\infty}$ [mm]	$F_{Rk}^{2)}$ [kN]	δ_{V0} [mm]	$\delta_{V\infty}$ [mm]
ZEBRA Shark W-ZX 10	55	0.1	0.1	0.2	0.1	0.2	0.3

- 1) Valid for all ranges of temperatures
2) Intermediate values by linear interpolation

Würth plastic anchor ZEBRA Shark W-ZX

Displacements

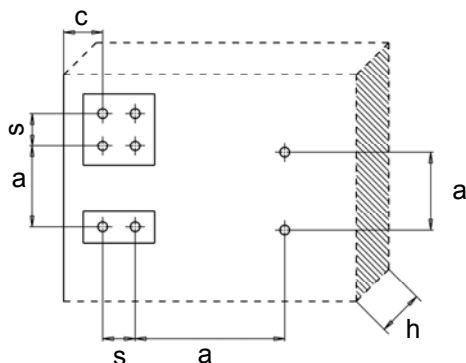
Annex 9

Table 8: Minimum thickness of member, edge distance and anchor spacing in concrete

- ZEBRA Shark W-ZX 6:** Fixing points with a spacing $a \leq 35$ mm are considered as a group with a max. characteristic resistance $N_{Rk,p}$ acc. to Table 6.1, 6.2. For $a > 35$ mm, the anchors are considered as single anchors, each with a characteristic resistance $N_{Rk,p}$ acc. to Table 6.1, 6.2.
- ZEBRA Shark W-ZX 8:** Fixing points with a spacing $a \leq 40$ mm are considered as a group with a max. characteristic resistance $N_{Rk,p}$ acc. to Table 6.1, 6.2. For $a > 40$ mm, the anchors are considered as single anchors, each with a characteristic resistance $N_{Rk,p}$ acc. to Table 6.1, 6.2.
- ZEBRA Shark W-ZX 10:** Fixing points with a spacing $a \leq 80$ mm are considered as a group with a max. characteristic resistance $N_{Rk,p}$ acc. to Table 6.1, 6.2. For $a > 80$ mm, the anchors are considered as single anchors, each with a characteristic resistance $N_{Rk,p}$ acc. to Table 6.1, 6.2.
- ZEBRA Shark W-ZX 12:** Fixing points with a spacing $a \leq 100$ mm are considered as a group with a max. characteristic resistance $N_{Rk,p}$ acc. to Table 6.1, 6.2. For $a > 100$ mm, the anchors are considered as single anchors, each with a characteristic resistance $N_{Rk,p}$ acc. to Table 6.1, 6.2.
- ZEBRA Shark W-ZX 14:** Fixing points with a spacing $a \leq 110$ mm are considered as a group with a max. characteristic resistance $N_{Rk,p}$ acc. to Table 6.1, 6.2. For $a > 110$ mm, the anchors are considered as single anchors, each with a characteristic resistance $N_{Rk,p}$ acc. to Table 6.1, 6.2.

		h_{nom} [mm]	h_{min} [mm]	$c_{cr,N}$ [mm]	c_{min} [mm]	s_{min} [mm]
ZEBRA W-ZX 8	Concrete \geq C16/20	34	100	80	80	80
	Concrete C12/15	34	100	120	110	110
ZEBRA W-ZX 8	Concrete \geq C16/20	45	100	80	80	80
	Concrete C12/15	45	100	110	110	110
ZEBRA W-ZX 10	Concrete \geq C16/20	55	100	80	80	80
	Concrete C12/15	55	100	110	110	110
ZEBRA W-ZX 12	Concrete \geq C16/20	65	120	150	150	150
	Concrete C12/15	65	120	210	210	210
ZEBRA W-ZX 14	Concrete \geq C16/20	75	120	150	150	150
	Concrete C12/15	75	120	210	210	210

Concrete:
(Table 8)



Würth plastic anchor ZEBRA Shark W-ZX

Minimum thickness of member, edge distance and anchor spacing in concrete

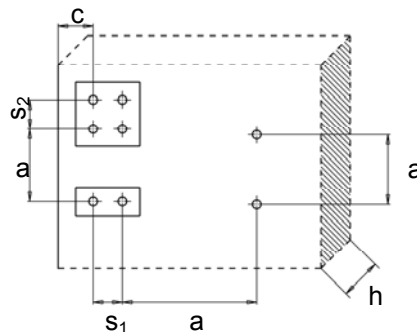
Annex 10

Table 9: Minimum thickness of member, edge distance and anchor spacing in masonry and autoclaved aerated concrete

			Zebra Shark W-ZX 10		
			Masonry	Autoclaved aerated concrete AAC 4 AAC 6	
Minimum thickness of member	h_{min}	[mm]	100 ¹⁾	175	
Single anchor					
Minimum spacing	a	[mm]	250	250	
Minimum edge distance	c_{min}	[mm]	100	80	100
Anchor group					
Spacing perpendicular to free edge	$s_{1,min}$	[mm]	100	100	125
Spacing parallel to free edge	$s_{2,min}$	[mm]	100	100	125
Minimum allowable edge distance	c_{min}	[mm]	100	80	100

¹⁾ depends on the brick size (see the following annexes 13 to 22)

Masonry and autoclaved aerated concrete
(Table 9)



Würth plastic anchor ZEBRA Shark W-ZX

Minimum thickness of member, edge distance and anchor spacing in masonry and autoclaved aerated concrete

Annex 11

Base material solid masonry: Autoclaved Aerated Concrete AAC

Table 10.1.1: Brick data

Description of brick		AAC
Type of brick		Autoclaved Aerated Concrete
Bulk density	$\rho \geq$ [kg/dm ³]	0.3
Standard, approval		DIN 4165; EN 771-4
Measurement	[mm]	$\geq 499 \times 175 \times 249$
Minimum thickness of member	$h_{\min} =$ [mm]	175

Table 10.1.2: Installation parameters

Anchor size		ZEBRA Shark W-ZX 10
Drill hole diameter	d_0 [mm]	10
Cutting diameter of drill bit	$d_{\text{cut}} \leq$ [mm]	10.45
Depth of drill hole to deepest point	$h_1 \geq$ [mm]	$l_s + 5 \text{ mm} - t_{\text{fix}}$
Drill method	[-]	Hammer drilling
Overall plastic anchor embedment depth	$h_{\text{nom}} \geq$ [mm]	55
Diameter of clearance hole in the fixture	$d_f \leq$ [mm]	8.5

Table 10.1.3: Characteristic resistance F_{Rk} ¹⁾ in [kN] for single anchor

Anchor size		ZEBRA Shark W-ZX 10
Autoclaved Aerated Concrete AAC $f_b \geq 4 \text{ N/mm}^2$	$20^\circ\text{C}^3) / 40^\circ\text{C}^4)$	
Characteristic resistance F_{Rk}	[kN]	1.2
Autoclaved Aerated Concrete AAC $f_b \geq 5 \text{ N/mm}^2$	$20^\circ\text{C}^3) / 40^\circ\text{C}^4)$	
Characteristic resistance F_{Rk}	[kN]	1.6
Autoclaved Aerated Concrete AAC $f_b \geq 6 \text{ N/mm}^2$	$20^\circ\text{C}^3) / 40^\circ\text{C}^4)$	
Characteristic resistance F_{Rk}	[kN]	2.0
Autoclaved Aerated Concrete AAC $f_b \geq 7 \text{ N/mm}^2$	$20^\circ\text{C}^3) / 40^\circ\text{C}^4)$	
Characteristic resistance F_{Rk}	[kN]	2.0
Partial safety factor	$\gamma_{\text{MAAC}}^2)$ [-]	2.0

- 1) Characteristic resistance F_{Rk} for tension, shear or combined tension and shear loading.
The characteristic resistance is valid for single plastic anchor or for a group of two or four plastic anchors with a spacing equal or larger than the minimum spacing s_{\min} according to Table 9. The specific conditions for the design method have to be considered according to chapter 4.2.6 of the ETA.
- 2) In absence of other national regulations
- 3) Maximum long term temperature
- 4) Maximum short term temperature

Würth plastic anchor ZEBRA Shark W-ZX

Solid masonry: Autoclaved aerated concrete

Annex 12

Base material solid masonry: Solid brick Mz, NF

Table 10.2.1: Brick data

Description of brick		771-1-020	Mz
Type of brick			Solid brick Mz
Bulk density	$\rho \geq$	[kg/dm ³]	1.8
Standard, approval			DIN 105; EN 771-1
Format (measurement)		[mm]	\geq NF (\geq 240x115x71)
Minimum thickness of member	$h_{\min} =$	[mm]	115

Table 10.2.2: Installation parameters

Anchor size			ZEBRA Shark W-ZX 10
Drill hole diameter	$d_0 =$	[mm]	10
Cutting diameter of drill bit	$d_{\text{cut}} \leq$	[mm]	10.45
Depth of drill hole to deepest point	$h_1 \geq$	[mm]	$l_s + 5 \text{ mm} - t_{\text{fix}}$
Drill method		[-]	Hammer drilling
Overall plastic anchor embedment depth	$h_{\text{nom}} \geq$	[mm]	55
Diameter of clearance hole in the fixture	$d_f \leq$	[mm]	8.5
Minimum edge distance	$c_{\min} \geq$	[mm]	100

Table 10.2.3: Characteristic resistance F_{Rk} ¹⁾ in [kN] for single anchor

Anchor size			ZEBRA Shark W-ZX 10
Solid brick Mz, $f_b \geq 10 \text{ N/mm}^2$			
Characteristic resistance F_{Rk}	$20^\circ\text{C}^3) / 40^\circ\text{C}^4)$	[kN]	1.2
Solid brick Mz, $f_b \geq 20 \text{ N/mm}^2$			
Characteristic resistance F_{Rk}	$20^\circ\text{C}^3) / 40^\circ\text{C}^4)$	[kN]	2.0
Solid brick Mz, $f_b \geq 28 \text{ N/mm}^2$			
Characteristic resistance F_{Rk}	$20^\circ\text{C}^3) / 40^\circ\text{C}^4)$	[kN]	2.5
Solid brick Mz, $f_b \geq 36 \text{ N/mm}^2$			
Characteristic resistance F_{Rk}	$20^\circ\text{C}^3) / 40^\circ\text{C}^4)$	[kN]	3.5
Partial safety factor	$\gamma_{Mm}^2)$	[-]	2.5

- 1) Characteristic resistance F_{Rk} for tension, shear or combined tension and shear loading.
The characteristic resistance is valid for single plastic anchor or for a group of two or four plastic anchors with a spacing equal or larger than the minimum spacing s_{\min} according to Table 9. The specific conditions for the design method have to be considered according to chapter 4.2.6 of the ETA.
- 2) In absence of other national regulations
- 3) Maximum long term temperature
- 4) Maximum short term temperature

Würth plastic anchor ZEBRA Shark W-ZX

Solid masonry: Solid brick Mz, NF
Brick data, installation parameters, characteristic resistance

Annex 13

Base material solid masonry: Solid brick Mz, 3DF

Table 10.3.1: Brick data

Description of brick		771-1-041	Mz
Type of brick			Solid brick Mz
Bulk density	$\rho \geq$	[kg/dm ³]	1.8
Standard, approval			DIN 105; EN 771-1
Producer of brick			e.g. Wienerberger GmbH
Format (measurement)		[mm]	\geq 3DF (\geq 240x175x113)
Minimum thickness of member	$h_{\min} =$	[mm]	175

Table 10.3.2: Installation parameters

Anchor size			ZEBRA Shark W-ZX 10
Drill hole diameter	$d_0 =$	[mm]	10
Cutting diameter of drill bit	$d_{\text{cut}} \leq$	[mm]	10.45
Depth of drill hole to deepest point	$h_1 \geq$	[mm]	$l_s + 5 \text{ mm} - t_{\text{fix}}$
Drill method		[-]	Hammer drilling
Overall plastic anchor embedment depth	$h_{\text{nom}} \geq$	[mm]	55
Diameter of clearance hole in the fixture	$d_f \leq$	[mm]	8.5
Minimum edge distance	$c_{\min} \geq$	[mm]	55

Table 10.3.3: Characteristic resistance F_{Rk} ¹⁾ in [kN] for single anchor

Anchor size			ZEBRA Shark W-ZX 10
Solid brick Mz, $f_b \geq 8 \text{ N/mm}^2$ Characteristic resistance F_{Rk}	$20^\circ\text{C}^3) / 40^\circ\text{C}^4)$	[kN]	0.75
Solid brick Mz, $f_b \geq 12 \text{ N/mm}^2$ Characteristic resistance F_{Rk}	$20^\circ\text{C}^3) / 40^\circ\text{C}^4)$	[kN]	1.2
Solid brick Mz, $f_b \geq 20 \text{ N/mm}^2$ Characteristic resistance F_{Rk}	$20^\circ\text{C}^3) / 40^\circ\text{C}^4)$	[kN]	2
Partial safety factor	$\gamma_{Mm}^2)$	[-]	2.5

- 1) Characteristic resistance F_{Rk} for tension, shear or combined tension and shear loading.
The characteristic resistance is valid for single plastic anchor or for a group of two or four plastic anchors with a spacing equal or larger than the minimum spacing s_{\min} according to Table 9. The specific conditions for the design method have to be considered according to chapter 4.2.6 of the ETA.
- 2) In absence of other national regulations
- 3) Maximum long term temperature
- 4) Maximum short term temperature

Würth plastic anchor ZEBRA Shark W-ZX

Solid masonry: Solid brick Mz, 3DF
Brick data, installation parameters, characteristic resistance

Annex 14

Base material hollow masonry: Hollow brick HLz, 12DF

Table 10.4.1: Brick data

Description of brick		771-1-036	HLz
Type of brick			Hollow brick
Bulk density	$\rho \geq$	[kg/dm ³]	1.2
Standard, approval			DIN 105; EN 771-1
Producer of brick			e.g. Schlagmann Baustoffwerke GmbH & Co. KG
Format (measurement)		[mm]	$\geq 12DF (\geq 373 \times 240 \times 238)$
Minimum thickness of member	$h_{min} =$	[mm]	240

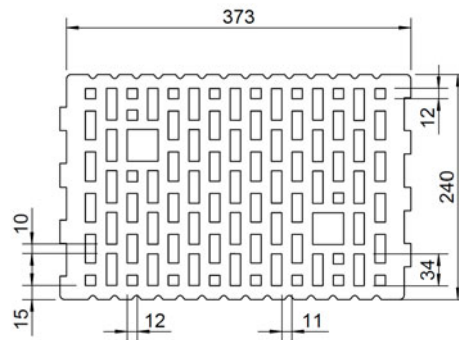


Table 10.4.2: Installation parameters

Anchor size		ZEBRA Shark W-ZX 10	
Drill hole diameter	$d_0 =$	[mm]	10
Cutting diameter of drill bit	$d_{cut} \leq$	[mm]	10.45
Depth of drill hole to deepest point	$h_1 \geq$	[mm]	$l_s + 5 \text{ mm} - t_{fix}$
Drill method		[-]	Rotary drilling
Overall plastic anchor embedment depth	$h_{nom} =$	[mm]	55
Diameter of clearance hole in the fixture	$d_f \leq$	[mm]	8.5
Minimum edge distance	$c_{min} \geq$	[mm]	100

Table 10.4.3: Characteristic resistance F_{Rk} ¹⁾ in [kN] for single anchor

Anchor size		ZEBRA Shark W-ZX 10	
Hollow brick HLz, $f_b \geq 4 \text{ N/mm}^2$	$20^\circ\text{C}^3) / 40^\circ\text{C}^4)$	[kN]	1.2
Hollow brick HLz, $f_b \geq 6 \text{ N/mm}^2$	$20^\circ\text{C}^3) / 40^\circ\text{C}^4)$	[kN]	1.5
Hollow brick HLz, $f_b \geq 8 \text{ N/mm}^2$	$20^\circ\text{C}^3) / 40^\circ\text{C}^4)$	[kN]	2.5
Partial safety factor	$\gamma_{Mm}^2)$	[-]	2.5

- 1) Characteristic resistance F_{Rk} for tension, shear or combined tension and shear loading.
The characteristic resistance is valid for single plastic anchor or for a group of two or four plastic anchors with a spacing equal or larger than the minimum spacing s_{min} according to Table 9. The specific conditions for the design method have to be considered according to chapter 4.2.6 of the ETA.
- 2) In absence of other national regulations
- 3) Maximum long term temperature
- 4) Maximum short term temperature

Würth plastic anchor ZEBRA Shark W-ZX

Hollow masonry: Hollow brick HLz, 12DF
Brick data, installation parameters, characteristic resistance

Annex 15

Base material solid masonry, sand-lime solid brick KS, NF

Table 10.5.1: Brick data

Description of brick		771-2-011	KS
Type of brick			Sand-lime solid brick
Bulk density	$\rho \geq$	[kg/dm ³]	2.0
Standard, approval			DIN V 106; EN 771-2
Producer of brick			e.g. Xella International GmbH Dr.-Hammacher-Str. 49 D-47119 Duisburg
Format (measurement)		[mm]	\geq NF ($\geq 240 \times 115 \times 71$)
Minimum thickness of member	$h_{\min} =$	[mm]	115

Table 10.5.2: Installation parameters

Anchor size		ZEBRA Shark W-ZX 10
Drill hole diameter	$d_0 =$	[mm] 10
Cutting diameter of drill bit	$d_{\text{cut}} \leq$	[mm] 10.45
Depth of drill hole to deepest point	$h_1 \geq$	[mm] $l_s + 5 \text{ mm} - t_{\text{fix}}$
Drill method		[-] Hammer drilling
Overall plastic anchor embedment depth	$h_{\text{nom}} =$	[mm] 55
Diameter of clearance hole in the fixture	$d_f \leq$	[mm] 8.5
Minimum allowable edge distance	$c_{\min} \geq$	[mm] 100

Table 10.5.3: Characteristic resistance F_{Rk} ¹⁾ in [kN] for single anchor

Anchor size		W-UR 10 SymCon
Sand-lime solid brick KS, $f_b \geq 10 \text{ N/mm}^2$	$20^\circ\text{C}^{3)} / 40^\circ\text{C}^{4)}$	[kN] 1.2
Sand-lime solid brick KS, $f_b \geq 20 \text{ N/mm}^2$	$20^\circ\text{C}^{3)} / 40^\circ\text{C}^{4)}$	[kN] 1.5
Sand-lime solid brick KS, $f_b \geq 28 \text{ N/mm}^2$	$20^\circ\text{C}^{3)} / 40^\circ\text{C}^{4)}$	[kN] 2.5
Characteristic resistance F_{Rk}		
Partial safety factor	$\gamma_{Mm}^{2)}$	[-] 2.5

- 1) Characteristic resistance F_{Rk} for tension, shear or combined tension and shear loading.
The characteristic resistance is valid for single plastic anchor or for a group of two or four plastic anchors with a spacing equal or larger than the minimum spacing s_{\min} according to Table 9. The specific conditions for the design method have to be considered according to chapter 4.2.6 of the ETA.
- 2) In absence of other national regulations
- 3) Maximum long term temperature
- 4) Maximum short term temperature

Würth plastic anchor ZEBRA Shark W-ZX

Hollow masonry: Sand-lime perforated brick KS, NF
Brick data, installation parameters, characteristic resistance

Annex 16

Base material hollow masonry, sand-lime perforated brick KS L, 2DF

Table 10.6.1: Brick data

Description of brick	771-2-004	KS L
Type of brick		Sand-lime perforated brick
Bulk density	$\rho \geq$ [kg/dm ³]	1.4
Standard, approval		DIN 106; EN 771-2
Producer of brick		-
Format (measurement)	[mm]	\geq 2DF (\geq 240x115x113)
Minimum thickness of member	$h_{min} =$ [mm]	115

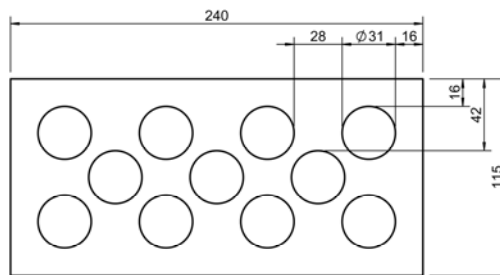


Table 10.6.2: Installation parameters

Anchor size	ZEBRA Shark W-ZX 10	
Drill hole diameter	d_0 [mm]	10
Cutting diameter of drill bit	$d_{cut} \leq$ [mm]	10.45
Depth of drill hole to deepest point	$h_1 \geq$ [mm]	$l_s + 5 \text{ mm} - t_{fix}$
Drill method	[-]	Rotary drilling
Overall plastic anchor embedment depth	$h_{nom} =$ [mm]	55
Diameter of clearance hole in the fixture	$d_f \leq$ [mm]	8.5
Drill hole diameter	$c_{min} \geq$ [mm]	100

Table 10.6.3: Characteristic resistance F_{Rk} ¹⁾ in [kN] for single anchor

Anchor size	ZEBRA Shark W-ZX 10	
Sand-lime perforated brick KS L, $f_b \geq 6 \text{ N/mm}^2$ Characteristic resistance F_{Rk}	$20^\circ\text{C}^3) / 40^\circ\text{C}^4)$ [kN]	1.2
Sand-lime perforated brick KS L, $f_b \geq 8 \text{ N/mm}^2$ Characteristic resistance F_{Rk}	$20^\circ\text{C}^3) / 40^\circ\text{C}^4)$ [kN]	1.5
Sand-lime perforated brick KS L, $f_b \geq 12 \text{ N/mm}^2$ Characteristic resistance F_{Rk}	$20^\circ\text{C}^3) / 40^\circ\text{C}^4)$ [kN]	2.5
Sand-lime perforated brick KS L, $f_b \geq 16 \text{ N/mm}^2$ Characteristic resistance F_{Rk}	$20^\circ\text{C}^3) / 40^\circ\text{C}^4)$ [kN]	2.5
Partial safety factor	$\gamma_{Mm}^2)$ [-]	2.5

- 1) Characteristic resistance F_{Rk} for tension, shear or combined tension and shear loading.
The characteristic resistance is valid for single plastic anchor or for a group of two or four plastic anchors with a spacing equal or larger than the minimum spacing s_{min} according to Table 9. The specific conditions for the design method have to be considered according to chapter 4.2.6 of the ETA.
- 2) In absence of other national regulations
- 3) Maximum long term temperature
- 4) Maximum short term temperature

Würth plastic anchor ZEBRA Shark W-ZX

Hollow masonry: Sand-lime perforated brick KS L, 2DF
Brick data, installation parameters, characteristic resistance

Annex 17

Base material hollow masonry, sand-lime perforated brick KS L, 8DF

Table 10.7.1: Brick data

Description of brick	771-2-013	KS L
Type of brick		Sand-lime perforated brick
Bulk density	$\rho \geq$ [kg/dm ³]	1.4
Standard, approval		DIN 106; EN 771-2
Producer of brick		e.g. Xella International GmbH
Format (measurement)	[mm]	$\geq 8DF (\geq 248 \times 240 \times 238)$
Minimum thickness of member	$h_{min} =$ [mm]	240

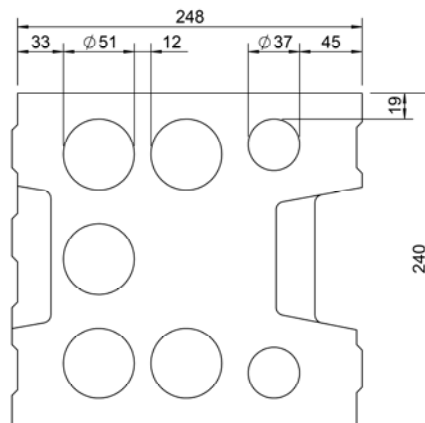


Table 10.7.2: Installation parameters

Anchor size	ZEBRA Shark W-ZX 10	
Drill hole diameter	$d_0 =$ [mm]	10
Cutting diameter of drill bit	$d_{cut} \leq$ [mm]	10.45
Depth of drill hole to deepest point	$h_1 \geq$ [mm]	$l_s + 5 \text{ mm} - t_{fix}$
Drill method	[-]	Rotary drilling
Overall plastic anchor embedment depth	$h_{nom} =$ [mm]	55
Diameter of clearance hole in the fixture	$d_f \leq$ [mm]	8.5
Minimum allowable edge distance	$c_{min} \geq$ [mm]	100

Table 10.7.3: Characteristic resistance F_{Rk} ¹⁾ in [kN] for single anchor

Anchor size	ZEBRA Shark W-ZX 10	
Sand-lime perforated brick KS L, $f_b \geq 6 \text{ N/mm}^2$, Characteristic resistance F_{Rk}	$20^\circ\text{C}^3) / 40^\circ\text{C}^4)$ [kN]	1.5
Sand-lime perforated brick KS L, $f_b \geq 8 \text{ N/mm}^2$, Characteristic resistance F_{Rk}	$20^\circ\text{C}^3) / 40^\circ\text{C}^4)$ [kN]	2.0
Sand-lime perforated brick KS L, $f_b \geq 10 \text{ N/mm}^2$, Characteristic resistance F_{Rk}	$20^\circ\text{C}^3) / 40^\circ\text{C}^4)$ [kN]	2.5
Sand-lime perforated brick KS L, $f_b \geq 12 \text{ N/mm}^2$, Characteristic resistance F_{Rk}	$20^\circ\text{C}^3) / 40^\circ\text{C}^4)$ [kN]	2.5
Partial safety factor	γ_{Mm} ²⁾ [-]	2.5

1) Characteristic resistance F_{Rk} for tension, shear or combined tension and shear loading.
The characteristic resistance is valid for single plastic anchor or for a group of two or four plastic anchors with a spacing equal or larger than the minimum spacing s_{min} according to Table 9. The specific conditions for the design method have to be considered according to chapter 4.2.6 of the ETA.

2) In absence of other national regulations

3) Maximum long term temperature

4) Maximum short term temperature

Würth plastic anchor ZEBRA Shark W-ZX

Hollow masonry: Sand-lime perforated brick KS L, 8DF
Brick data, installation parameters, characteristic resistance

Annex 18

Base material solid masonry, concrete solid block, Vn and Vbn, NF

Table 10.8.1: Brick data

Description of brick		771-3-004(O)	Vn and Vbn
Type of brick			Concrete solid block
Bulk density	$\rho \geq$	[kg/dm ³]	2.0
Standard, approval			DIN 18153-100; EN 771-3
Producer of brick			-
Format (measurement)		[mm]	\geq NF (\geq 240x115x71)
Minimum thickness of member	$h_{min} =$	[mm]	115

Table 10.8.2: Installation parameters

Anchor size		ZEBRA Shark W-ZX 10	
Drill hole diameter	$d_0 =$	[mm]	10
Cutting diameter of drill bit	$d_{cut} \leq$	[mm]	10.45
Depth of drill hole to deepest point	$h_1 \geq$	[mm]	$l_s + 5 \text{ mm} - t_{fix}$
Drill method		[-]	Hammer drilling
Overall plastic anchor embedment depth	$h_{nom} \geq$	[mm]	55
Diameter of clearance hole in the fixture	$d_f \leq$	[mm]	8.5
Minimum edge distance	$c_{min} \geq$	[mm]	100

Table 10.8.3: Characteristic resistance F_{RK} ¹⁾ in [kN] for single anchor

Anchor size		ZEBRA Shark W-ZX 10	
Concrete solid block Vn und Vbn, $f_b \geq 8 \text{ N/mm}^2$ Characteristic resistance F_{RK}	$20^\circ\text{C}^3) / 40^\circ\text{C}^4)$	[kN]	1.2
Concrete solid block Vn und Vbn, $f_b \geq 10 \text{ N/mm}^2$ Characteristic resistance F_{RK}	$20^\circ\text{C}^3) / 40^\circ\text{C}^4)$	[kN]	2.0
Concrete solid block Vn und Vbn, $f_b \geq 20 \text{ N/mm}^2$ Characteristic resistance F_{RK}	$20^\circ\text{C}^3) / 40^\circ\text{C}^4)$	[kN]	3.0
Concrete solid block Vn und Vbn, $f_b \geq 28 \text{ N/mm}^2$ Characteristic resistance F_{RK}	$20^\circ\text{C}^3) / 40^\circ\text{C}^4)$	[kN]	4.0
Partial safety factor	$\gamma_{Mm}^2)$	[-]	2.5

- 1) Characteristic resistance F_{RK} for tension, shear or combined tension and shear loading.
The characteristic resistance is valid for single plastic anchor or for a group of two or four plastic anchors with a spacing equal or larger than the minimum spacing s_{min} according to Table 9. The specific conditions for the design method have to be considered according to chapter 4.2.6 of the ETA.
- 2) In absence of other national regulations
- 3) Maximum long term temperature
- 4) Maximum short term temperature

Würth plastic anchor ZEBRA Shark W-ZX

Solid masonry: Concrete solid block Vn and Vbn, NF
Brick data, installation parameters, characteristic resistance

Annex 19

Base material solid masonry, lightweight concrete solid brick: V and Vbl, 3DF

Table 10.9.1: Brick data

Description of brick		771-3-017	V und Vbl
Type of brick			Lightweight concrete solid brick
Bulk density	$\rho \geq$	[kg/dm ³]	2.0
Standard, approval			EN 771-3, DIN V 18152-100
Producer of brick			e.g. Bisophon, Bisotherm GmbH Eisenbahnstraße 12 D-56218 Mühlheim-Kärlich -
Format (measurement)		[mm]	\geq 3DF (\geq 240x175x113)
Minimum thickness of member	$h_{\min} =$	[mm]	175

Table 10.9.2: Installation parameters

Anchor size		ZEBRA Shark W-ZX 10	
Drill hole diameter	$d_0 =$	[mm]	10
Cutting diameter of drill bit	$d_{\text{cut}} \leq$	[mm]	10.45
Depth of drill hole to deepest point	$h_1 \geq$	[mm]	$l_s + 5 \text{ mm} - t_{\text{fix}}$
Drill method		[-]	Hammer drilling
Overall plastic anchor embedment depth	$h_{\text{nom}} \geq$	[mm]	55
Diameter of clearance hole in the fixture	$d_f \leq$	[mm]	8.5
Minimum edge distance	$c_{\min} \geq$	[mm]	100

Tabelle 10.9.3: Charakteristische Tragfähigkeit F_{Rk} ¹⁾ in [kN] für Einzeldübel

Anchor size		ZEBRA Shark W-ZX 10	
Lightweight concrete solid brick V and Vbl, $f_b \geq 8 \text{ N/mm}^2$ Characteristic resistance F_{Rk}	$20^\circ\text{C}^3) / 40^\circ\text{C}^4)$	[kN]	1.5
Lightweight concrete solid brick V and Vbl, $f_b \geq 10 \text{ N/mm}^2$ Characteristic resistance F_{Rk}	$20^\circ\text{C}^3) / 40^\circ\text{C}^4)$	[kN]	2.5
Lightweight concrete solid brick V and Vbl, $f_b \geq 20 \text{ N/mm}^2$ Characteristic resistance F_{Rk}	$20^\circ\text{C}^3) / 40^\circ\text{C}^4)$	[kN]	4.5
Partial safety factor	$\gamma_{\text{Mm}}^2)$	[-]	2.5

- 1) Characteristic resistance F_{Rk} for tension, shear or combined tension and shear loading.
The characteristic resistance is valid for single plastic anchor or for a group of two or four plastic anchors with a spacing equal or larger than the minimum spacing s_{\min} according to Table 9. The specific conditions for the design method have to be considered according to chapter 4.2.6 of the ETA.
- 2) In absence of other national regulations
- 3) Maximum long term temperature
- 4) Maximum short term temperature

Würth plastic anchor ZEBRA Shark W-ZX

Solid masonry: Lightweight concrete solid brick V and Vbl, 3DF
Brick data, installation parameters, characteristic resistance

Annex 20

Base material solid masonry, Lightweight concrete solid brick: V and Vbl, 3DF

Table 10.10.1: Brick data

Description of brick		771-3-017	V and Vbl
Type of brick			Lightweight concrete solid brick
Bulk density	$\rho \geq$	[kg/dm ³]	1.2
Standard, approval			EN 771-3, DIN V 18152-100
Producer of brick			e.g. Bisophon, Bisotherm GmbH Eisenbahnstraße 12 D-56218 Mühlheim-Kärlich
Format (measurement)		[mm]	$\geq 3DF (\geq 240 \times 175 \times 113)$
Minimum thickness of member	$h_{\min} =$	[mm]	175

Table 10.10.2: Installation parameters

Anchor size			ZEBRA Shark W-ZX 10
Drill hole diameter	$d_0 =$	[mm]	10
Cutting diameter of drill bit	$d_{\text{cut}} \leq$	[mm]	10.45
Depth of drill hole to deepest point	$h_1 \geq$	[mm]	$l_s + 5 \text{ mm} - t_{\text{fix}}$
Drill method		[-]	Hammer drilling
Overall plastic anchor embedment depth	$h_{\text{nom}} \geq$	[mm]	55
Diameter of clearance hole in the fixture	$d_f \leq$	[mm]	8.5
Minimum edge distance	$c_{\min} \geq$	[mm]	60

Table 10.10.3: Characteristic resistance $F_{RK}^{1)}$ in [kN] for single anchor

Anchor size			ZEBRA Shark W-ZX 10
Lightweight concrete solid brick, V 4 and Vbl 4, $f_b \geq 4 \text{ N/mm}^2$	$20^\circ\text{C}^{3)} / 40^\circ\text{C}^{4)}$	[kN]	0.9
Characteristic resistance F_{RK}			
Lightweight concrete solid brick, V6 and Vbl 6, $f_b \geq 6 \text{ N/mm}^2$	$20^\circ\text{C}^{3)} / 40^\circ\text{C}^{4)}$	[kN]	1.5
Characteristic resistance F_{RK}			
Partial safety factor	$\gamma_{Mm}^{2)}$	[-]	2.5

- 1) Characteristic resistance F_{RK} for tension, shear or combined tension and shear loading.
The characteristic resistance is valid for single plastic anchor or for a group of two or four plastic anchors with a spacing equal or larger than the minimum spacing s_{\min} according to Table 9. The specific conditions for the design method have to be considered according to chapter 4.2.6 of the ETA.
- 2) In absence of other national regulations
- 3) Maximum long term temperature
- 4) Maximum short term temperature

Würth plastic anchor ZEBRA Shark W-ZX

Solid masonry: Lightweight concrete solid brick V and Vbl, 3DF
Brick data, installation parameters, characteristic resistance

Annex 21

Base material solid masonry, Lightweight concrete solid brick: V and Vbl, NF

Table 10.11.1: Brick data

Description of brick		771-3-007	V and Vbl
Type of brick			Lightweight concrete solid brick
Bulk density	$\rho \geq$	[kg/dm ³]	1.2
Standard, approval			EN 771-3, DIN V 18152-100
Producer of brick			e.g. BisoBims, BisoTherm GmbH Eisenbahnstraße 12 D-56218 Mühlheim-Kärlich
Format (measurement)		[mm]	\geq NF (\geq 240x115x71)
Minimum thickness of member	$h_{\min} =$	[mm]	115

Table 10.11.2: Installation parameters

Anchor size			ZEBRA Shark W-ZX 10
Drill hole diameter	$d_0 =$	[mm]	10
Cutting diameter of drill bit	$d_{\text{cut}} \leq$	[mm]	10.45
Depth of drill hole to deepest point	$h_1 \geq$	[mm]	$l_s + 5 \text{ mm} - t_{\text{fix}}$
Drill method		[-]	Hammer drilling
Overall plastic anchor embedment depth	$h_{\text{nom}} =$	[mm]	55
Diameter of clearance hole in the fixture	$d_f \leq$	[mm]	8.5
Minimum edge distance	$c_{\min} \geq$	[mm]	100

Table 10.11.3: Characteristic resistance F_{Rk} ¹⁾ in [kN] for single anchor

Anchor size			ZEBRA Shark W-ZX 10
Lightweight concrete solid brick, V 4 and Vbl 4, $f_b \geq 4 \text{ N/mm}^2$	$20^\circ\text{C}^3) / 40^\circ\text{C}^4)$	[kN]	0.5
Characteristic resistance F_{Rk}			
Partial safety factor	$\gamma_{Mm}^2)$	[-]	2.5

- 1) Characteristic resistance F_{Rk} for tension, shear or combined tension and shear loading.
The characteristic resistance is valid for single plastic anchor or for a group of two or four plastic anchors with a spacing equal or larger than the minimum spacing s_{\min} according to Table 9. The specific conditions for the design method have to be considered according to chapter 4.2.6 of the ETA.
- 2) In absence of other national regulations
- 3) Maximum long term temperature
- 4) Maximum short term temperature

Würth plastic anchor ZEBRA Shark W-ZX

Solid masonry: Lightweight concrete solid brick V and Vbl, NF
Brick data, installation parameters, characteristic resistance

Annex 22

Base material precast prestressed hollow core elements

Table 10.12.1: Data

Description	Precast prestressed hollow core elements
Base material	Precast prestressed hollow core elements ≥ C30/37
Standard, approval	DIN EN 1168: 2008-10

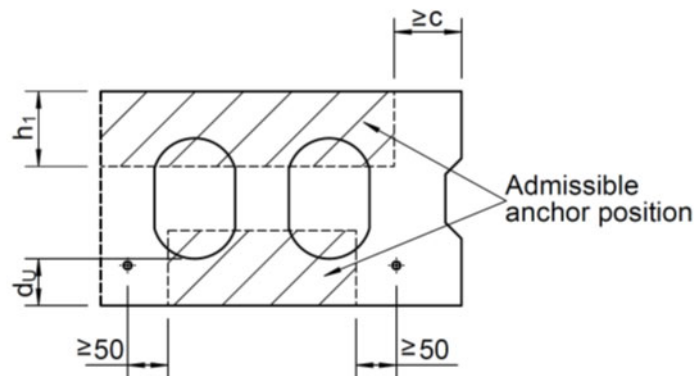


Table 10.12.2: Installation parameters

Anchor size	ZEBRA Shark W-ZX 10	
Member thickness	$d_u \geq$	[mm] 25
Drill hole diameter	d_0	[mm] 10
Cutting diameter of drill bit	$d_{cut} \leq$	[mm] 10.45
Depth of drill hole to deepest point	$h_1 \geq$	[mm] $l_s + 5 \text{ mm} - t_{fix}$
Drill method		[-] Hammer drilling
Overall plastic anchor embedment depth	$h_{nom} =$	[mm] 55
Diameter of clearance hole in the fixture	$d_f \leq$	[mm] 8.5
	$c \geq$	[mm] 80

Table 10.12.3: Characteristic resistance F_{Rk} ¹⁾ in [kN] for single anchor

Anchor size	ZEBRA Shark W-ZX 10	
Member thickness	$d_u \geq$	[mm] 25
Precast prestressed hollow core elements ≥ C30/37,	$20^\circ\text{C}^3) / 40^\circ\text{C}^4)$	[kN] 0.75
Characteristic resistance F_{Rk}		
Partial safety factor	γ_{Mm} ²⁾	[-] 1.8

- 1) Characteristic resistance F_{Rk} for tension, shear or combined tension and shear loading.
The characteristic resistance is valid for single plastic anchor or for a group of two or four plastic anchors with a spacing equal or larger than the minimum spacing s_{min} according to Table 9. The specific conditions for the design method have to be considered according to chapter 4.2.6 of the ETA.
- 2) In absence of other national regulations
- 3) Maximum long term temperature
- 4) Maximum short term temperature

Würth plastic anchor ZEBRA Shark W-ZX

Precast prestressed hollow core elements
Brick data, installation parameters, characteristic resistance

Annex 23