

DECLARATION OF PERFORMANCE
NR.LE_09053645_02_M_W-DN

LANGUAGE VERSIONS :

Language	Site
EN	2
ETA-12/0029 (EN)	3
BG	13
CZ	14
DA	15
DE	16
ES	17
ET	18
FI	19
FR	20
GA	21
GR	22
HR	23
HU	24
IT	25
LT	26
LV	27
MT	28
NL	29
NO	30
PL	31
PT	32
RO	33
RU	34
SK	35
SL	36
SV	37
TR	38

DECLARATION OF PERFORMANCE

Nr. LE_09053645_02_M_W-DN

This is an English translation of the original German wording.

In cases of doubt, the German version applies

- | | |
|--|--|
| 1. Unique identification code of the product type: | Würth Ceiling Anchor W-DN
Art.-No.: 09053645; 090536 35 |
| 2. Intended use(s): | Deformation- controlled expansion anchor made of galvanised steel for multiple use for non-structural applications in concrete |
| 3. Manufactured by: | Adolf Würth GmbH & Co. KG
Reinhold-Würth-Str. 12 - 17
D - 74653 Künzelsau |
| 4. System(s) of assessment and verification of constancy of performance: | System 2+ |
| 5. European Assessment Document:
European Technical Assessment:
Technical Assessment Body:
Notified Body or Bodies: | ETAG 001 Part 6 - August 2010
ETA-12/0029 - 09/12/2016
Deutsches Institut für Bautechnik (DIBt), Berlin
2873, Institut für Stahlbau und Werkstoffmechanik (IFSW), Darmstadt |
| 6. Declared performance(s): | |

Essential Characteristics	Performance	Harmonised Technical Specification
Safety in case of fire (BWR 2)		ETA-12/0029 ETAG 001 Part 6 - August 2010
Reaction to fire	Class A1	
Resistance to fire	See Annex C2	
Safety in use (BWR 4)		
Characteristic resistance in concrete	See Annex C1	

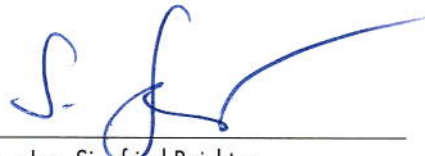
The performance of the product identified above corresponds to the declared performance/s. This declaration of performance is issued, in accordance with Regulation (EU) No 305/2011, under the sole responsibility of the manufacturer identified above.

Signed for and on behalf of the manufacturer by:



Frank Wolpert
Authorized Signatory, Head of Market Division

Künzelsau, 01/04/2021



Dr. -Ing. Siegfried Beichter
Authorized Signatory, Head of Quality

Approval body for construction products
and types of construction

Bautechnisches Prüfamt

An institution established by the Federal and
Laender Governments



European Technical Assessment

ETA-12/0029
of 9 December 2016

English translation prepared by DIBt - Original version in German language

General Part

Technical Assessment Body issuing the
European Technical Assessment:

Deutsches Institut für Bautechnik

Trade name of the construction product

Würth Ceiling Anchor W-DN

Product family
to which the construction product belongs

Deformation- controlled expansion anchor made of
galvanised steel for multiple use for non-structural
applications in concrete

Manufacturer

Adolf Würth GmbH & Co. KG
Reinhold-Würth-Straße 12-17
74653 Künzelsau
DEUTSCHLAND

Manufacturing plant

Herstellwerk 9

This European Technical Assessment
contains

10 pages including 3 annexes which form an integral part
of this assessment

This European Technical Assessment is
issued in accordance with Regulation (EU)
No 305/2011, on the basis of

Guideline for European technical approval of "Metal
anchors for use in concrete", ETAG 001 Part 6: "Anchors
for multiple use for non-structural applications",
August 2010,
used as European Assessment Document (EAD)
according to Article 66 Paragraph 3 of Regulation (EU)
No 305/2011.

The European Technical Assessment is issued by the Technical Assessment Body in its official language. Translations of this European Technical Assessment in other languages shall fully correspond to the original issued document and shall be identified as such.

Communication of this European Technical Assessment, including transmission by electronic means, shall be in full. However, partial reproduction may only be made with the written consent of the issuing Technical Assessment Body. Any partial reproduction shall be identified as such.

This European Technical Assessment may be withdrawn by the issuing Technical Assessment Body, in particular pursuant to information by the Commission in accordance with Article 25(3) of Regulation (EU) No 305/2011.

Specific Part

1 Technical description of the product

The Würth Ceiling Anchor W-DN is an anchor made of galvanized steel which is placed into a drilled hole and anchored by deformation-controlled expansion.

Product and product description is given in Annex A.

2 Specification of the intended use in accordance with the applicable European Assessment Document

The performances given in Section 3 are only valid if the anchor is used in compliance with the specifications and conditions given in Annex B.

The verifications and assessment methods on which this European Technical Assessment is based lead to the assumption of a working life of the anchor of at least 50 years. The indications given on the working life cannot be interpreted as a guarantee given by the producer, but are to be regarded only as a means for choosing the right products in relation to the expected economically reasonable working life of the works.

3 Performance of the product and references to the methods used for its assessment

3.1 Mechanical resistance and stability (BWR 1)

The essential characteristics regarding mechanical resistance and stability are included under the Basic Works Requirement Safety in use.

3.2 Safety in case of fire (BWR 2)

Essential characteristic	Performance
Reaction to fire	Anchorage satisfy requirements for Class A1
Resistance to fire	See Annex C 2

3.3 Safety in use (BWR 4)

Essential characteristic	Performance
Characteristic resistance in concrete	See Annex C 1

4 Assessment and verification of constancy of performance (AVCP) system applied, with reference to its legal base

In accordance with guideline for European technical approval ETAG 001, April 2013 used as European Assessment Document (EAD) according to Article 66 Paragraph 3 of Regulation (EU) No 305/2011 the applicable European legal act is: [97/161/EC].

The system to be applied is: 2+

English translation prepared by DIBt

5 Technical details necessary for the implementation of the AVCP system, as provided for in the applicable EAD

Technical details necessary for the implementation of the AVCP system are laid down in the control plan deposited with Deutsches Institut für Bautechnik.

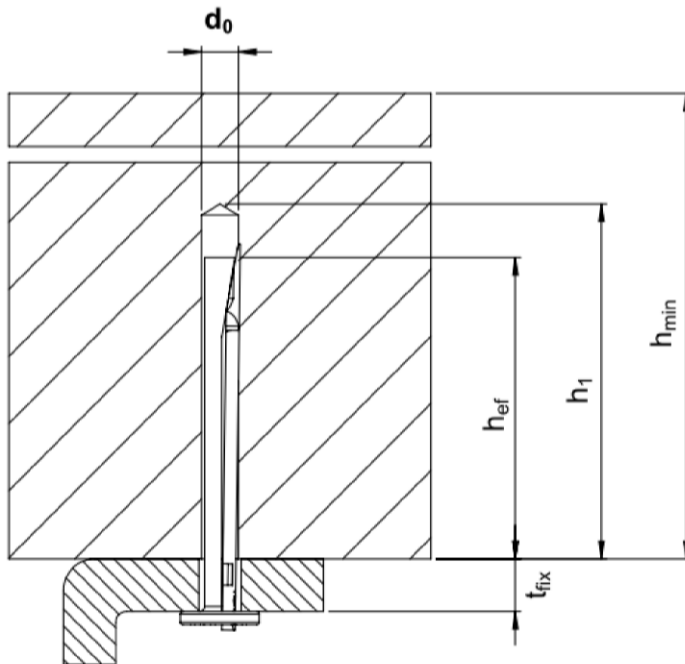
Issued in Berlin on 9 Dezember 2016 by Deutsches Institut für Bautechnik

Andreas Kummerow
p. p. Head of Department

beglaubigt:
Tempel

product and installation condition

installed anchor



- | | | |
|-----------|---|-----------------------------|
| h_{ef} | = | effective anchorage depth |
| h_1 | = | depth of the drill hole |
| h_{min} | = | minimum thickness of member |
| t_{fix} | = | thickness of fixture |
| d_0 | = | nominal drill bit diameter |

electronic copy of the eta by dibt: eta-12/0029

Würth Ceiling Anchor W-DN

Product description

Product and installation conditions

Annex A 1

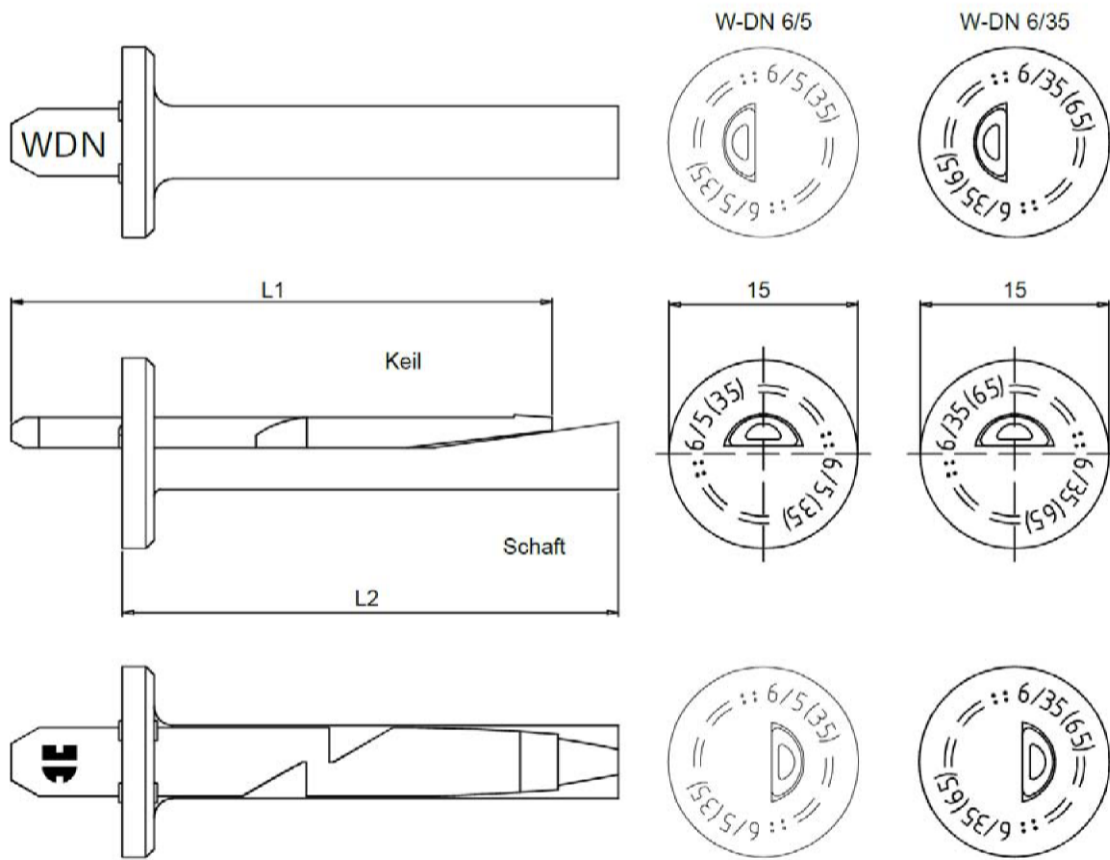


Table A 1: Materials

Material
Steel according to EN 10263-2, galvanized according to EN ISO 4042

Table A 2: Dimensions

Anchorsize		W-DN	
		6/5	6/35
Length of the wedge	[mm]	43	73
Length of the shaft	[mm]	39	69,5

Würth Ceiling Anchor W-DN

Product description

Material and variants

Annex A 2

Intended use

Anchorage subject to:

- static and quasi-static loads
- used only for multiple use for non structural application acc. to ETAG 001, Part 6
- used for anchorages with requirements related to resistance of fire

Base materials:

- reinforced and unreinforced concrete according to EN 206-1:2000
- strength classes C20/25 to C50/60 according to EN 206-1:2000
- cracked and uncracked concrete

Use conditions (Environmental conditions):

- anchorage subject to dry internal conditions

Design:

- Anchorages are designed under the responsibility of an engineer experienced in anchorages and concrete work.
- Verifiable calculation notes and drawings are prepared taking account of the loads to be anchored. The position of the anchor is indicated on the design drawings (e.g. position of the anchor relative to reinforcement or to supports, etc.).
- Anchorages under static or quasi-static actions are designed for design method C in accordance with:
 - ETAG 001, Annex C, Edition August 2010 or
 - CEN/TS 1992-4:2009.
- Anchorages under fire exposure are designed in accordance with
 - EOTA Technical Report TR 020, Edition May 2004 or
 - CEN/TS 1992-4:2009, Annex D (it must be ensured that local spalling of the concrete cover does not occur).

Installation:

- Hammer drilling only.
- Anchor installation carried out by appropriately qualified personal and under the supervision of the person responsible for technical matters of the site.
- Positioning of the drill holes without damaging the reinforcement.
- In case of aborted hole: new drilling at a minimum distance away of twice the depth of aborted hole or smaller distance if the aborted hole is filled with high strength mortar and if under shear or oblique tension load it is not the direction of the load application.

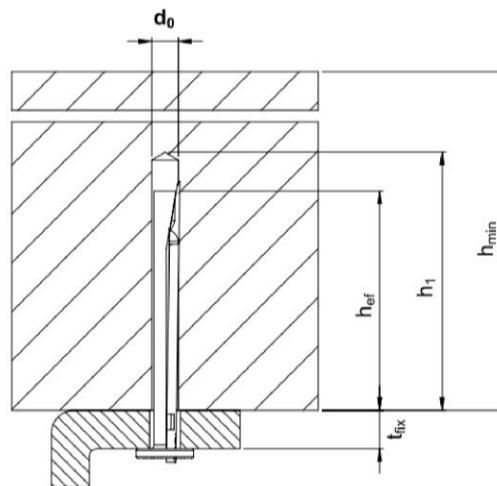
Würth Ceiling Anchor W-DN

Intended use
Specifications

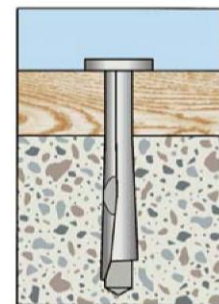
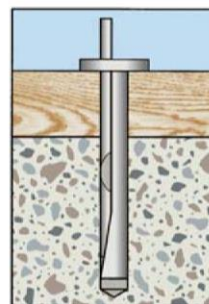
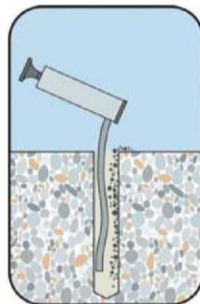
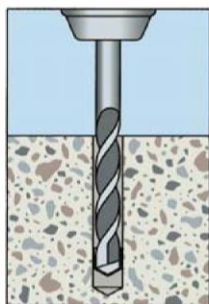
Annex B 1

Table B 1: Installation parameters

Anchorsize			W-DN	
			6/5	6/35
nominal drill bit diameter	d_0	[mm]	6,0	
cutting diameter of drill bit	d_{cut}	\leq [mm]	6,4	
depth of drill hole	h_1	\geq [mm]	40	
effective anchorage depth	h_{ef}	\geq [mm]	32	
Minimum thickness of member	h_{min}	[mm]	80	
Minimum edge distance	c_{min}	[mm]	150	
Minimum spacing	s_{min}	[mm]	200	
Maximum thickness of fixture	t_{fix}	[mm]	5	35



Installation Instructions



Würth Ceiling Anchor W-DN

Intended use
Installation parameters

Annex B 2

Table C 1: Characteristic values for design method C according to ETAG 001, Annex C or for design method C according to CEN/TS 1992-4

Anchorsize			W-DN
For all load directions and for all failures			
Characteristic resistance in cracked and uncracked concrete C20/25 to C50/60	F_{Rk}	[kN]	5,0
Edge distance	$c_{cr,N} = c_{min}$	[mm]	150
Spacing	$s_{cr,N} = s_{min}$	[mm]	200
Partial safety factor	$\gamma_M^{1)}$	[-]	1,5
Shear load with lever arm			
Characteristic bending moment	$M_{Rk,s}^0$	[Nm]	5,4
Partial safety factor	γ_{Ms}	[-]	1,25

¹⁾ The installation safety factor γ_2 resp. $\gamma_{inst} = 1,0$ is included

Würth Ceiling Anchor W-DN

Performances

Characteristic values for design method C according to ETAG 001 or CEN/TS 1992-4

Annex C 1

Table C2: Characteristic resistance under fire exposure

Anchorsize			W-DN	
Fire resistance class				
R30	Characteristic resistance	$F_{Rk,fi30}$	[kN]	0,8
R60		$F_{Rk,fi60}$	[kN]	0,7
R90		$F_{Rk,fi90}$	[kN]	0,6
R120		$F_{Rk,fi120}$	[kN]	0,4
R30	Characteristic resistance	$M^0_{Rk,s,fi30}$	[Nm]	0,67
R60		$M^0_{Rk,s,fi60}$	[Nm]	0,55
R90		$M^0_{Rk,s,fi90}$	[Nm]	0,43
R120		$M^0_{Rk,s,fi120}$	[Nm]	0,31
Edge distance				
R30 to R120		$c_{cr, fi}$	[mm]	150
Spacing				
R30 to R120		$s_{cr, fi}$	[mm]	200

Würth Ceiling Anchor W-DN

Performances

Characteristic values for design under fire exposure

Annex C 2

ДЕКЛАРАЦИЯ ЗА ЕКСПЛОАТАЦИОННИ ПОКАЗАТЕЛИ

№ LE_09053645_02_M_W-DN

**Настоящият текст е превод от немски на български.
В случай на съмнение важи оригиналът на немски**

- | | |
|--|--|
| 1. Уникален идентификационен код на типа на продукта: | Würth Deckennagel W-DN (анкерен пирон Würth W-DN)
Арт. №: 09053645; 090536 35 |
| 2. Предвидена употреба/употреби: | Дюбел с разтваряне с контролиран ход от галванично поцинкована стомана за използване като многократно закрепване на носещи системи в бетон |
| 3. Производител: | Adolf Würth GmbH & Co. KG
Reinhold-Würth-Str. 12 - 17
D - 74653 Künzelsau |
| 4. Система (и) за оценка и проверка на постоянството на експлоатационните показатели: | Система 2+ |
| 5. Европейски документ за оценяване:
Европейска техническа оценка:
Орган за техническа оценка:
Нотифициран(и) орган(и): | ETAG 001 Част 6 – август 2010
ETA-12/0029 - 9.12.2016 г.
Deutsches Institut für Bautechnik (DIBt), Berlin
2873, Institut für Stahlbau und Werkstoffmechanik (IFSW), Darmstadt |
| 6. Деклариран(и) експлоатационен(и) показател(и): | |

Основни характеристики	Експлоатационни показатели	Хармонизирана техническа спецификация
Противопожарна защита (BWR 2)		ETA-12/0029 ETAG 001 Част 6 – август 2010
Реакция на огън	Клас А1	
Огнеустойчивост	Вижте приложение С2	
Безопасност при използване (BWR 4)		
Характерни стойности на съпротивление в бетон	Вижте приложение С1	

Експлоатационните показатели на продукта, посочен по-горе, са в съответствие с декларираните експлоатационни показатели. Отговорност за издаването на декларацията за експлоатационни показатели носи изцяло производителят в съответствие с Регламент на (ЕС) № 305/2011.

Подписана за производителя и от името на производителя от:



Франк Волперт
(Прокуррист - мениджър Пазар)



Д-р. инж. Зигфрид Байхтер
(Прокуррист мениджър Качество)

Кюнцелзау, 01.4.2021 г.

PROHLÁŠENÍ O VLASTNOSTECH

Č. LE_09053645_02_M_W-DN

**Jedná se o verzi přeloženou z němčiny.
V případě pochybností platí německý originál**

- | | |
|---|---|
| 1. Jednoznačný identifikační kód typu výrobku: | Kotva do stropu W-DN Würth
Č. vyr.: 09053645; 090536 35 |
| 2. Zamýšlené/zamýšlená použití: | Rozpěrná hmoždinka s kontrolovanou dráhou z pozinkované oceli pro použití ke kombinovanému upevnění nenosných systémů do betonu |
| 3. Výrobce: | Adolf Würth GmbH & Co. KG
Reinhold-Würth-Str. 12 - 17
D - 74653 Künzelsau |
| 4. Systém(y) pro hodnocení a kontrolu stálosti vlastností: | Systém 2+ |
| 5. Evropský dokument pro posuzování:
Evropské technické schválení:
Pracoviště pro technické posuzování: | ETAG 001 část 6 - srpen 2010
ETA-12/0029 - 9.12.2016
Deutsches Institut für Bautechnik, Berlin (DIBt, Německý institut pro stavební techniku v Berlíně) |
| Oznámený subjekt/oznámené subjekty: | 2873, Institut für Stahlbau und Werkstoffmechanik (IFSW), Darmstadt |
| 6. Deklarovaná vlastnost/deklarované vlastnosti: | |

Podstatné charakteristické vlastnosti	Vlastnost	Harmonizovaná technická specifikace
Požární ochrana (BWR 2)		ETA-12/0029 ETAG 001 část 6 - srpen 2010
Reakce na oheň	Třída A1	
Požární odolnost	Viz přílohu C2	
Bezpečnost při použití (BWR 4)		
Charakteristické hodnoty odporu v betonu	Viz přílohu C1	

Vlastnosti výše uvedeného výrobku jsou ve shodě se souborem deklarovaných vlastností. Za vyhotovení prohlášení o vlastnostech v souladu s nařízením (EU) č. 305/2011 je odpovědný výhradně výše uvedený výrobce.

Podepsal za výrobce a jeho jménem:



Frank Wolpert
(zmocněnec - ředitel oddělení trhu)



Dr.-Ing. Siegfried Beichter
(zmocněnec - ředitel oddělení jakosti)

Künzelsau, 01. 04. 2021

YDEEVNEDEKLARATION**Nr. LE_09053645_02_M_W-DN**

**Denne version er oversat fra tysk.
I tvivlstilfælde gælder den tyske original**

1. **Produkttypens entydige identifikationskode:** Würth loftsøm W-DN
Art.-nr.: 09053645; 090536 35
2. **Anvendelsesformål:** Strækingskontrolleret spredende dyvel af galvaniseret stål til brug som flerdobbelt fastgørelse af ikke bærende systemer i beton
3. **Producent:** Adolf Würth GmbH & Co. KG
Reinhold-Würth-Str. 12 - 17
D - 74653 Künzelsau
4. **System(er) til bedømmelse og kontrol af ydeevnebestandigheden:** System 2+
5. **Europæisk vurderingsdokument:** ETAG 001 del 6 - august 2010
Europæisk teknisk bedømmelse: ETA-12/0029 - 09.12.2016
Teknisk evalueringsmyndighed: Deutsches Institut für Bautechnik (DIBt), Berlin
Notificeret myndighed/notificerede myndigheder: 2873, Institut für Stahlbau und Werkstoffmechanik (IFSW), Darmstadt
6. **Deklareret ydeevne/deklarerede ydeevner:**

Væsentlige egenskaber	Ydeevne	Harmoniseret teknisk specifikation
Brandsikkerhed (BWR 2)		ETA-12/0029 ETAG 001 del 6 - august 2010
Brandreaktion	Klasse A1	
Brandmodstand	Se appendiks C2	
Sikkerhed ved brugen (BWR 4)		
Karakteristiske værdier for modstanden i beton	Se appendiks C1	

Det ovenstående produkts ydeevne svarer til den deklarerede ydeevne/de deklarerede ydeevner. For udstedelsen af ydeevnedeklarationen i henhold til forordning (EU) nr. 305/2011 er udelukkende den ovenstående producent ansvarlig.

Underskrevet for og på vegne af producenten af:



Frank Wolpert
(Prokurist - Leder af
markedsafdelingen)



Dr.-ing. Siegfried Beichter
(Prokurist - Leder af kvalitetsafdelingen)

Künzelsau, den 01.04.2021

LEISTUNGSERKLÄRUNG

Nr. LE_09053645_02_M_W-DN

1. Eindeutiger Kenncode des Produkttyps: Würth Deckennagel W-DN
Art.-Nr.: 09053645; 090536 35
2. Verwendungszweck(e): Wegkontrolliert spreizender Dübel aus galvanisch verzinktem Stahl für die Verwendung als Mehrfachbefestigung von nichttragenden Systemen in Beton
3. Hersteller: Adolf Würth GmbH & Co. KG
Reinhold-Würth-Str. 12 - 17
D - 74653 Künzelsau
4. System(e) zur Bewertung und Überprüfung der Leistungsbeständigkeit: System 2+
5. Europäisches Bewertungsdokument: ETAG 001 Teil 6 - August 2010
Europäische Technische Bewertung: ETA-12/0029 - 09.12.2016
Technische Bewertungsstelle: Deutsches Institut für Bautechnik (DIBt), Berlin
Notifizierte Stelle(n): 2873, Institut für Stahlbau und Werkstoffmechanik (IFSW), Darmstadt
6. Erklärte Leistung(en):

Wesentliche Merkmale	Leistung	Harmonisierte technische Spezifikation
Brandschutz (BWR 2)		ETA-12/0029 ETAG 001 Teil 6 - August 2010
Brandverhalten	Klasse A1	
Feuerwiderstand	Siehe Anhang C2	
Sicherheit bei der Nutzung (BWR 4)		
Charakteristische Werte des Widerstandes im Beton	Siehe Anhang C1	

Die Leistung des vorstehenden Produkts entspricht der erklärten Leistung/den erklärten Leistungen. Für die Erstellung der Leistungserklärung im Einklang mit der Verordnung (EU) Nr. 305/2011 ist allein der obengenannte Hersteller verantwortlich.

Unterzeichnet für den Hersteller und im Namen des Herstellers von:



Frank Wolpert
(Prokurist - Leiter Bereich Markt)



Dr. -Ing. Siegfried Beichter
(Prokurist - Leiter Qualität)

Künzelsau, den 01.04.2021

DECLARACIÓN DE PRESTACIONES

N.ºLE_09053645_02_M_W-DN

**Esta versión está traducida del alemán.
En caso de duda es aplicable el original alemán**

- | | |
|--|---|
| 1. Código de identificación única del producto tipo: | Clavo para techos Würth W-DN
N.º de art.: 09053645; 090536 35 |
| 2. Uso(s) previsto(s): | Taco de expansión controlado por el recorrido de acero galvanizado electrolíticamente para utilizarlo como fijación múltiple de sistemas no portantes en hormigón |
| 3. Fabricante: | Adolf Würth GmbH & Co. KG
Reinhold-Würth-Str. 12 - 17
D - 74653 Künzelsau |
| 4. Sistema(s) de evaluación y verificación de la constancia de las prestaciones: | Sistema 2+ |
| 5. Documento de evaluación europeo:
Evaluación Técnica Europea:
Organismo de Evaluación Técnica: | ETAG 001 parte 6 - agosto 2010
ETA-12/0029 - del 09/12/2016
Deutsches Institut für Bautechnik (Instituto Alemán de Tecnología de la Construcción), Berlín |
| Organismo(s) notificado(s): | 2873, Institut für Stahlbau und Werkstoffmechanik (IFSW), Darmstadt |
| 6. Prestaciones declaradas: | |

Características esenciales	Prestación	Especificaciones técnicas armonizadas
Protección contra incendios (BWR 2)		ETA-12/0029 ETAG 001 parte 6 - agosto 2010
Reacción al fuego	Clase A1	
Resistencia al fuego	Véase el anexo C2	
Seguridad durante el uso (BWR 4)		
Valores característicos de la resistencia en hormigón	Véase el anexo C1	

Las prestaciones del producto identificado anteriormente son conformes con el conjunto de prestaciones declaradas. La presente declaración de prestaciones se emite de conformidad con el Reglamento (UE) n.º 305/2011, bajo la sola responsabilidad del fabricante arriba identificado.

Firmado por y en nombre del fabricante por:



Frank Wolpert
(Apoderado - Director del área de mercado)



Dr. -Ing. Siegfried Beichter
(Apoderado - Director de Calidad)

Künzelsau, el 01/04/2021

TOIMIVUSDEKLARATSIOON**Nr. LE_09053645_02_M_W-DN**

**Tegemist on saksa keelest tõlgitud versiooniga.
Kahtluste korral kehtib saksakeelne originaaltekst**

1. Tootetüübi kordumatu identifitseerimiskood: Würth laeankur W-DN
Art-nr: 09053645; 090536 35
2. Ettenähtud kasutusotstarve või -otstarbed: Kontrollitult laienev tüübel galvaaniliselt tsingitud terasest kasutamiseks betoonis mittekandvate süsteemide mitmekordse kinnitusena.
3. Tootja: Adolf Würth GmbH & Co. KG
Reinhold-Würth-Str. 12 - 17
D - 74653 Künzelsau
Süsteem 2+
4. Toimivuse püsivuse hindamise ja kontrolli süsteem(id): Süsteem 2+
5. Euroopa hindamisdokument: ETAG 001, 6. osa - august 2010
Euroopa tehniline hinnang: ETA-12/0029 - 09.12.2016
Tehnilise hindamise asutus: Deutsches Institut für Bautechnik (DIBt), Berliin
Teavitatud asutus(ed): 2873, Institut für Stahlbau und Werkstoffmechanik (IFSW), Darmstadt
6. Deklareeritud toimivus(ed):

Põhiomadused	Toimivus	Ühtlustatud tehniline kirjeldus
Tulekaitse (BWR 2)		ETA-12/0029 ETAG 001 6. osa - august 2010
Tuletundlikkus	Klass A1	
Tuletakistus	Vt lisa C2	
Ohutus kasutamisel (BWR 4)		
Vastupanu iseloomustavad väärtused betoonis	Vt lisa C1	

Eespool nimetatud toodete toimivus vastab deklareeritud toimivusele / deklareeritud toimivustele. Vastavusdeklaratsiooni koostamise eest kooskõlas määrusega (EL) nr 305/2011 vastutab ainuisikuliselt eespool nimetatud tootja.

Tootja poolt ja nimel allkirjastanud:



Frank Wolpert
(prokurist - turu valdkonna juht)



Dr. ins. Siegfried Beichter
(prokurist-kvaliteedijuht)

Künzelsau, 01.04.2021

SUORITUSTASOILMOITUS

Nro LE_09053645_02_M_W-DN

**Tämä on käänös saksankielisestä.
Epäilyksissä pätee saksankielinen alkuperäisilmoitus.**

- Tuotetyypin yksilöllinen tunnistus:** Würth kattoankkuri W-DN
Tuote-nrot: 09053645; 090536 35
- Aiottu käyttötarkoitus (aiotut käyttötarkoitukset):** Vääntymistarkistettu kiila-ankkuri galvaanisesti sinkitystä teräksestä käytettäväksi monitoimiankkurina ei-kantavissa betonirakenteissa
- Valmistaja:** Adolf Würth GmbH & Co. KG
Reinhold- Würth-Str. 12 - 17
D - 74653 Künzelsau, Saksa
Järjestelmä 2+
- Suoritustason arvioinnin ja tarkistamisen järjestelmä(t):** Järjestelmä 2+
- Eurooppalainen arviointidokumentti:** ETAG 001 osa 6 - elokuu 2010
Eurooppalainen tekninen arviointi: ETA-12/0029 - 09.12.2016
Teknisestä arvioinnista vastaava laitos: Deutsches Institut für Bautechnik (DIBt) (Saksan rakennustekninen instituutti), Berliini
Ilmoitettu laitos / ilmoitetut laitokset: 2873, Institut für Stahlbau und Werkstoffmechanik (IFSW; teräsrakenneteollisuuden ja materiaalimekaniikan instituutti), Darmstadt
- Ilmoitettu suoritustaso/ilmoitetut suoritustasot:**

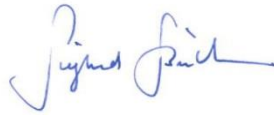
Perusominaisuudet	Suoritustaso	Yhdenmukaistetut tekniset eritelmät
Palosuoja (BWR 2)		
Palokäyttäytyminen	Luokka A1	ETA-12/0029 ETAG 001 osa 6 - elokuu 2010
Palonkestävyys	Katso liite C2	
Käyttöturvallisuus (BWR 4)		
Ominaisarvot vastukselle betonissa	Katso liite C1	

Edellä yksilöidyn tuotteen suoritustaso on ilmoitettujen suoritustasojen joukon mukainen. Tämä suoritustasoilmoitus on asetuksen (EU) N:o 305/2011 mukaisesti annettu edellä ilmoitetun valmistajan yksinomaisella vastuulla.

Valmistajan puolesta allekirjoittanut:



Frank Wolpert
(Prokuristi - markkinapäällikkö)



TkT Siegfried Beichter
(Prokuristi - laadunjohtaja)

Künzelsau, 01.04.2021

DÉCLARATION DE PERFORMANCES

N° LE_09053645_02_M_W-DN

**Il s'agit ici de la version traduite à partir de l'allemand.
En cas de doute, la version allemande fait foi**

1. Code d'identification unique du produit type : Cheville de plafond Würth W-DN
N° de réf. : 09053645; 090536 35
2. Usage(s) prévu(s) : Chevilles à expansion contrôlée en course, en acier électrozingué, à utiliser comme fixation multiple de systèmes non porteurs dans le béton
3. Fabricant : Adolf Würth GmbH & Co. KG
Reinhold-Würth-Str. 12 - 17
D - 74653 Künzelsau
4. Système(s) d'évaluation et de vérification de la constance des performances : Système 2+
5. Document d'évaluation européen : ETAG 001, Partie 6 - août 2010
Évaluation technique européenne : ETA-12/0029 - 09/12/2016
Organisme d'évaluation technique : Deutsches Institut für Bautechnik (DIBt), Berlin
Organisme(s) notifié(s) : 2873, Institut für Stahlbau und Werkstoffmechanik (IFSW), Darmstadt
6. Performance(s) déclarée(s) :

Caractéristiques essentielles	Performance	Spécification technique harmonisée
Protection incendie (BWR 2)		ETA-12/0029 ETAG 001, Partie 6 - août 2010
Réaction au feu	Classe A1	
Résistance au feu	Voir annexe C2	
Sécurité d'utilisation (BWR 4)		
Valeurs caractéristiques de la résistance dans le béton	Voir annexe C1	

La performance du produit susmentionné correspond à la performance / aux performances déclarée(s). Conformément au règlement (UE) N° 305/2011, la présente déclaration des performances est établie sous la seule responsabilité du fabricant mentionné ci-dessus.

Signée pour le fabricant et en son nom par :



Frank Wolpert
(Fondé de pouvoir – Directeur
domaine Marché)



Dr. -Ing. Siegfried Beichter
(Fondé de pouvoir – Directeur Qualité)

Künzelsau, le 01/04/2021

DEARBHÚ FEIDHMÍOCHTA

Uimh. LE_09053645_02_M_W-DN

**Is é seo an leagan a aistríodh ón nGearmáinis.
Má tá aon amhras ort tá feidhm ag an bunleagan Gearmáinise**

- Cód aitheantais uathúil an chineáil táirge:** Tairne síleála Würth W-DN
Uimh.Earra: 09053645; 090536 35
- Úsáid(i) b(h)eartaithe:** Ancaire leathnaithe faoi rialú cosáin déanta as cruach ghalbhánaithe le húsáid mar cheangal iolrach ar chórais nach bhfuil ag iompar ualaigh, i gcoincreít
- Déantúsóir:** Adolf Würth GmbH & Co. KG
Reinhold-Würth-Str. 12 - 17
D - 74653 Künzelsau
- Córa(i)s chun seasmhacht feidhmíochta a mheas agus a scrúdú:** Córas 2+
- Doiciméad Measúnaithe Eorpach:** ETAG 001 Cuid 6 - Lúnasa 2010
Measúnú Teicniúil Eorpach: ETA-12/0029 - 09.12.2016
Ionad Measúnaithe Teicniúil: Deutsches Institut für Bautechnik, DIBt (Ionad Teicníocht Tógála na Gearmáine), Beirlín
Iona(i)d dá dtugtar fógra: 2873, Institut für Stahlbau und Werkstoffmechanik (IFSW), Darmstadt (Institiúid um Fhoirgníocht Chruach agus Meicníocht Ábhair (IFSW), Darmstadt)
- Feidhmíocht(aí) d(h)earbhaithe:**

Príomhthréithe	Feidhmíocht	Sonraíocht theicniúil chomhchuibhithe
Cosaint dóiteáin (BWR 2)		
Iompar i gcás dóiteáin	Aicme A1	ETA-12/0029 ETAG 001 Cuid 6 - Lúnasa 2010
Friotaíocht i gcoinne tine	Féach iarscríbhinn C2	
Sábháilteacht le linn úsáide (BWR 4)		
Luachanna sainréititheacha friotaíochta i gcoincreít	Féach iarscríbhinn C1	

Tá feidhmíocht an táirge thuas ag teacht leis an bhfeidhmíocht dhearbhaithe/na feidhmíochtaí dearbhaithe. Is ar an déantúsóir thuasluaite amháin atá an fhreagracht Dearbhú Feidhmíochta a dhéanamh de réir Rialacháin (AE) Uimh. 305/2011.

Sínithe ar son agus thar ceann an déantúsóra ag:



Frank Wolpert
(Oifigeach Údaraithe - Ceann na
Roinne Margaidh)



Dr. -Ing. Siegfried Beichter
(Oifigeach Údaraithe - Stiúirthóir
Cáilíochta)

Künzelsau, 01/04/2021

ΔΗΛΩΣΗ ΕΠΙΔΟΣΕΩΝ**Αρ. IE_09053645_02_M_W-DN****Πρόκειται για την έκδοση μεταφρασμένη από τα γερμανικά.
Σε περίπτωση αμφιβολιών, ισχύει το γερμανικό πρωτότυπο**

1. Μοναδικός κωδικός αναγνώρισης του τύπου του προϊόντος: Καρφί στέγης Würth W-DN
Αρ. είδ.: 09053645, 090536 35
2. Σκοπός (-οί) χρήσης: Ελεγχόμενης διαδρομής εκτονούμενο αγκύριο από γαλβανισμένο χάλυβα για χρήση ως πολλαπλή στερέωση μη φερόντων συστημάτων σε σκυρόδεμα.
3. Κατασκευαστής: Adolf Würth GmbH & Co. KG
Reinhold-Würth-Str. 12 - 17
D - 74653 Künzelsau
4. Σύστημα (-τα) για την αξιολόγηση και τον έλεγχο της διατήρησης της επίδοσης: Σύστημα 2+
5. Ευρωπαϊκό έντυπο αξιολόγησης: ETAG 001 μέρος 6 - Αύγουστος 2010
Ευρωπαϊκή τεχνική αξιολόγηση: ETA-12/0029 - 09.12.2016
Οργανισμός τεχνικής αξιολόγησης: Deutsches Institut für Bautechnik (DIBt), Βερολίνο
Κοινοποιημένος οργανισμός (-οί): 2873, Institut für Stahlbau und Werkstoffmechanik (IFSW), Darmstadt
6. Δηλωμένη επίδοση (-εις):

Σημαντικά χαρακτηριστικά	Επίδοση	Εναρμονισμένες τεχνικές προδιαγραφές
Πυροπροστασία (BWR 2)		ETA-12/0029 ETAG 001 μέρος 6 - Αύγουστος 2010
Συμπεριφορά σε πυρκαγιά	Κατηγορία A1	
Αντοχή σε πυρκαγιά	Βλέπε παράρτημα C2	
Ασφάλεια κατά τη χρήση (BWR 4)		
Χαρακτηριστικές τιμές της αντίστασης σε σκυρόδεμα	Βλέπε παράρτημα C1	

Η επίδοση του προαναφερόμενου προϊόντος αντιστοιχεί στη δηλωμένη επίδοση/στις δηλωμένες επιδόσεις. Για τη σύνταξη της δήλωσης επιδόσεων σε συμμόρφωση με τον κανονισμό (ΕΕ) αρ. 305/2011 ο μόνος υπεύθυνος είναι ο προαναφερόμενος κατασκευαστής.

Υπογράφεται για τον κατασκευαστή και εν ονόματι του κατασκευαστή από:



Frank Wolpert
(Γενικός εμπορικός πληρεξούσιος -
Διευθυντής τμήματος αγοράς)



Dr. -Ing. Siegfried Beichter
(Γενικός εμπορικός πληρεξούσιος -
Διευθυντής ποιότητας)

Künzelsau, την 01.04.2021

IZJAVA O SVOJSTVIMA

Br. LE_09053645_02_M_W-DN

**Ova je verzija teksta prevedena s njemačkog.
U slučaju dvojbe original na njemačkom ima prednost**

- | | |
|---|--|
| 1. Jedinstvena identifikacijska oznaka tipa proizvoda: | Würth čavli za strop W-DN
Br. art.: 09053645; 090536 35 |
| 2. Namjena(e): | Razuporni zatik kontroliran putem od galvanski pocinčanog čelika za upotrebu kao višestruko pričvršćenje nenosivih sustava u beton |
| 3. Proizvođač: | Adolf Würth GmbH & Co. KG
Reinhold-Würth-Str. 12 - 17
D - 74653 Künzelsau |
| 4. Sustav/i za ocjenjivanje i provjeru postojanosti svojstava: | Sustav 2+ |
| 5. Europski dokument za ocjenjivanje:
Europska tehnička ocjena:
Tijelo za tehničku ocjenu:
Prijavljeno/a tijelo/a: | ETAG 001, dio 6 - kolovoz 2010.
ETA-12/0029 - 9.12.2016.
Njemački institut građevinarstva (DIBt), Berlin
2873, Institut za čelične konstrukcije i mehaniku materijala (IFSW), Darmstadt |
| 6. Navedeno svojstvo/a: | |

Bitna obilježja	Svojstvo	Usklađene tehničke specifikacije
Zaštita od požara (BWR 2)		
Ponašanje u slučaju požara	Klasa A1	ETA-12/0029 ETAG 001 dio 6. - Kolovoz 2010.
Otpornost na požar	Vidi prilog C2	
Sigurnost prilikom upotrebe (BWR 4)		
Karakteristične vrijednosti otpora u betonu	Vidi prilog C1	

Svojstvo gore navedenog proizvoda odgovara navedenom svojstvu / navedenim svojstvima. Za izradu Izjave o svojstvima prema Odredbi (EU) br. 305/2011 isključivo je odgovoran gore navedeni proizvođač.

Potpisano za i u ime proizvođača od strane:



Frank Wolpert
(Prokurist - voditelj odjela za tržište)



Dr. - Ing. Siegfried Beichter
(Prokurist - voditelj za kvalitetu)

Künzelsau, 1.4.2021.

TELJESÍTMÉNYNYILATKOZAT

LE_09053645_02_M_W-DN sz.

**Ez a német nyelvről lefordított változat.
Kétség esetén a német nyelvű eredeti az érvényes.**

1. A terméktípus egyedi azonosító kódja: Würth W-DN mennyezeti szeg
Cikkszámok: 09053645; 090536 35
2. Felhasználási cél(ok): Útszabályozottan terpesztő galvanikusan horganyzott acél dübel többszörös rögzítésként való felhasználáshoz nem teherhordó rendszerekhez betonban
3. Gyártó: Adolf Würth GmbH & Co. KG
Reinhold-Würth-Str. 12 - 17
D - 74653 Künzelsau
4. A teljesítményállandóság értékelésére és ellenőrzésére szolgáló rendszer(ek): 2+ rendszer
5. Európai értékelési dokumentum: ETAG 001, 6. rész - 2010. augusztus
Európai Műszaki Értékelés: ETA-12/0029 - 2016.12.09.
Műszaki értékelő szervezet: Deutsches Institut für Bautechnik (DIBt), Berlin
Bejelentett szerv(ek): 2873, Institut für Stahlbau und Werkstoffmechanik (IFSW), Darmstadt
6. Nyilatkozatban szereplő teljesítmény(ek):

Lényeges jellemzők	Teljesítmény	Harmonizált műszaki specifikáció
Tűzvédelem (BWR 2)		ETA-12/0029 ETAG 001, 6. rész - 2010. augusztus
Tűzzel szembeni viselkedés	A1 osztály	
Tűzállóság	Lásd a C2 mellékletet	
Biztonság a használat során (BWR 4)		
Jellemző ellenállási értékek betonban	Lásd a C1 mellékletet	

A fent megnevezett termék teljesítménye megfelel a teljesítménynyilatkozatban rögzített teljesítménynek/teljesítményeknek. A 305/2011 sz. EU rendelet előírásai alapján készült teljesítménynyilatkozat összeállítása kizárólag a fent nevezett gyártó felelőssége.

A gyártó képviselőjében és nevében aláírta:



Frank Wolpert

(cégvezető – piac szakterület vezetője)



Dr. -Ing. Siegfried Beichter

(cégvezető – minőségügyi vezető)

Künzelsau, 2021.04.01.

DICHIARAZIONE DI PRESTAZIONE

N. LE_09053645_02_M_W-DN

**La presente è la versione tradotta dal tedesco.
In caso di incertezze si considera valido l'originale in tedesco**

1. Codice di identificazione unico del prodotto-tipo: Würth Deckennagel W-DN (Chiodo per soffitto W-DN Würth)
Art. n.: 09053645; 090536 35
2. Utilizzo/i previsto/i: Tassello ad espansione a percorso controllato in acciaio zincato galvanizzato per l'utilizzo come fissaggio multiplo di sistemi non portanti nel calcestruzzo
3. Azienda produttrice: Adolf Würth GmbH & Co. KG
Reinhold-Würth-Str. 12 - 17
D - 74653 Künzelsau
4. Sistema/i di valutazione e verifica della prestazione: Sistema 2+
5. Documento per la Valutazione Europea: ETAG 001 Parte 6 - agosto 2010
Valutazione tecnica europea: ETA-12/0029 - 09.12.2016
Organismo di valutazione tecnica: Deutsches Institut für Bautechnik (DIBt), Berlino
Organismo/i notificato/i: 2873, Institut für Stahlbau und Werkstoffmechanik (IFSW), Darmstadt
6. Prestazione/i dichiarata/e:

Caratteristiche essenziali	Prestazione	Norma tecnica armonizzata
Sicurezza in caso di incendio (BWR 2)		ETA-12/0029 ETAG 001 Parte 6 - agosto 2010
Reazione al fuoco	Classe A1	
Resistenza al fuoco	Si veda Allegato C2	
Sicurezza e accessibilità nell'uso (BWR 4)		
Valori caratteristici di resistenza nel calcestruzzo	Si veda Allegato C1	

La prestazione del prodotto di cui sopra è conforme alla prestazione dichiarata/alle prestazioni dichiarate. Si rilascia la presente dichiarazione di prestazione ai sensi del Regolamento (UE) N. 305/2011 sotto la responsabilità esclusiva del suddetto fabbricante.

Firmato a nome e per conto del fabbricante da:



Frank Wolpert
(Procuratore - Responsabile Settore
Mercato)



Dr. -Ing. Siegfried Beichter
(Procuratore - Responsabile Qualità)

Künzelsau, 01.04.2021

EKSPLOATACINIŲ SAVYBIŲ DEKLARACIJA

Nr. LE_09053645_02_M_W-DN

**Tai yra vertimas iš vokiečių kalbos.
Kilus abejonių, vadovautis originalu vokiečių kalba.**

1. Produkto tipo unikalus atpažinimo kodas: „Würth lubų vinis W-DN“
Prekės Nr.: 09053645; 090536 35
2. Naudojimo paskirtis (-ys): Kontroliuojamos jėgos plėtimo kaištis iš galvaniniu būdu cinkuoto plieno, skirtas daugkartiniam nelaikančiųjų sistemų tvirtinimui betone
3. Gamintojas: „Adolf Würth GmbH & Co. KG“
Reinhold-Würth-Str. 12-17
D - 74653 Kiuncelsau
2+ sistema
4. Eksploatacinių savybių atsparumo įvertinimo ir patikrinimo sistema (-os):
5. Europos įvertinimo dokumentas: ETAG 001, 6 dalis - 2010 m. rugpjūtis
Europos techninis įvertinimas: ETA-12/0029, atliktas 2016.12.09
Techninio vertinimo įstaiga: „Deutsches Institut für Bautechnik (DIBt)“, Berlynas
Notifikuotoji (-osios) įstaiga (-os): 2873, „Institut für Stahlbau und Werkstoffmechanik“ (IFSW), Darmštatas
6. Deklaruojama (-os) eksploatacinė (-s) savybė (-s):


Pagrindinės charakteristikos	Eksploatacinės savybės	Darnusis techninis standartas
Priešgaisrinė apsauga (BWR 2)		ETA-12/0029 ETAG 001 6 dalis - 2010 m. rugpjūtis
Degumas	A1 klasė	
Atsparumas ugniai	Žr. C2 priedą.	
Saugumas naudojimo metu (BWR 4)		
Būdingas atsparumas betone	Žr. C1 priedą.	

Turimos produkto eksploatacinės savybės atitinka deklaruotas eksploatacines savybes. Už eksploatacinių savybių deklaracijos, atitinkančios potvarkį (ES) Nr. 305/2011, sudarymą atsako tik nurodytas gamintojas.

Pasirašo gamintojas ir atstovas gamintojo vardu:



Frank Wolpert
(Igaliojasis rinkos vadovas)



Dr. inž. Siegfried Beichter
(Igaliojasis kokybės vadovas)

Kiuncelsau, 2021-04-01

EKSPLOATĀCIJAS ĪPAŠĪBU DEKLARĀCIJA

Nr. LE_09053645_02_M_W-DN

Ši ir no vācu valodas tulkota dokumenta versija.
Šaubu gadījumā spēkā ir oriģināls vācu valodā

1. Unikālais izstrādājuma tipa identifikācijas numurs: Würth griestu ķīlenkurs W-DN
Preces Nr.: 09053645; 090536 35
2. Lietojuma mērķis(-i): Virzību kontrolējošs izplešanās dibelis no galvaniski cinkota tērauda izmantošanai vairākkārtīgai nenesošu sistēmu nostiprināšanai betonā.
3. Ražotājs: Adolf Würth GmbH & Co. KG
Reinhold-Würth-Str. 12 – 17
D – 74653 Künzelsau (Kincelzava, Vācija)
Sistēma 2+
4. Eksploatācijas īpašību noturības novērtējuma un pārbaudes sistēma(-as):
5. Eiropas novērtējuma dokuments: ETAG 001, 6. daļa - 2010. g. augusts
Eiropas Tehniskais novērtējums: ETA-12/0029 – 09.12.2016.
Tehniskā novērtējuma iestāde: Deutsches Institut für Bautechnik (DIBt), Berlin (Berlīne)
Paziņotā(-ās) iestāde(-es): 2873, Institut für Stahlbau und Werkstoffmechanik (IFSW), Darmstadt (Darmštate)
6. Deklarētā(-ās) eksploatācijas īpašība(-as):

Būtiskie raksturlielumi	Eksploatācijas īpašības	Saskaņotā tehniskā specifikācija
Ugunsdrošība (BWR 2)		ETA-12/0029 ETAG 001, 6. daļa – 2010. g. augusts
Degšanas īpašības	A1 klase	
Ugunsizturība	Skatīt C2 pielikumu	
Drošība lietošanas laikā (BWR 4)		
Raksturīgie pretestības parametri betonā	Skatīt C1 pielikumu	

Šā produkta eksploatācijas īpašības atbilst deklarētajai(-ām) eksploatācijas īpašībai(-ām). Par eksploatācijas īpašību deklarācijas sagatavošanu saskaņā ar Regulu (ES) Nr. 305/2011 ir atbildīgs tikai iepriekš minētais ražotājs.

Ražotāja un ražotāja pārstāvja paraksts:



Frank Wolpert (Franks Volperts)

(Prokūrists – Tīrgus nodaļas vadītājs)



Dr. –Ing. Siegfried Beichter (Dr. ing.
Zigfrīds Beichters)

(Prokūrists – Leiter Qualität (prokūrists –
kvalitātes sistēmas vadītājs))

Künzelsau (Kincelzava), 01.04.2021.

DIKJARAZZJONI TA' PRESTAZZJONI

Nru LE_09053645_02_M_W-DN

Din hija l-verżjoni tradotta mill-Ġermaniż.

F'każ ta' dubju jgħodd id-dokument oriġinali bil-lingwa Ġermaniża

- Kodiċi uniku ta' identifikazzjoni tat-tip ta' prodott:** Würth Ankra li Tissammar W-DN
Nru tal-oġġett: 09053645; 090536; 35
- Użu/i intenzjonat/i:** Kavilja li tespandi b'deformazzjoni kkontrollata magħmula minn azzar iggalvanizzat għall-użu bħala ankra għat-tqabbid multiplu f'sistemi tal-konkrit li ma jgħorrox piż
- Manifattur:** Adolf Würth GmbH & Co. KG
Reinhold-Würth-Str. 12 - 17
D - 74653 Künzelsau
- Sistema jew sistemi ta' valutazzjoni u verifika tal-kostanza ta' prestazzjoni:** Sistema 2+
- Dokument Ewropew ta' valutazzjoni: Valutazzjoni Teknika Ewropea: Korp tal-valutazzjoni teknika: Korp/i nnotifikat/i:** ETAG 001 Parti 6 - Awwissu 2010
ETA-12/0029 - 09/12/2016
Deutsches Institut für Bautechnik (DIBt), Berlin
2873, Institut für Stahlbau und Werkstoffmechanik (IFSW), Darmstadt, Germany
- Prestazzjoni/jiet ddikjarata/i:**

Karatteristiċi essenzjali	Prestazzjoni	Speċifikazzjoni teknika armonizzata
Protezzjoni kontra n-nar (BWR 2)		ETA-12/0029 ETAG 001 Parti 6 - Awwissu 2010
Reazzjoni għan-nar	Klassi A1	
Reżistenza kontra n-nar	Ara l-Anness C2	
Sigurtà fl-użu (BWR 4)		
Valuri karatteristiċi tar-reżistenza fil-konkrit	Ara l-Anness C1	

Il-prestazzjoni tal-prodott identifikat hawn fuq hija konformi mal-prestazzjonijiet iddikjarati. Din id-dikjarazzjoni ta' prestazzjoni hi maħruġa skont ir-Regolament (UE) Nru 305/2011 taht ir-responsabbiltà unika tal-manifattur identifikat hawn fuq.

Iffirmat għal u f'isem il-manifattur minn:



Frank Wolpert
(Rapp. Awtorizzat - Kap, Qasam tal-Suq)



Dr. -Ing. Siegfried Beichter
(Rapp. Awtorizzat - Kap, Ġestjoni tal-Kwalità)

Künzelsau, 01/04/2021

PRESTATIEVERKLARING

Nr. LE_09053645_02_M_W-DN

**Dit is een uit het Duits vertaalde versie.
In twijfelgevallen geldt het Duitse origineel.**

- | | |
|--|---|
| 1. Eenduidige identificatiecode van het producttype: | Würth plafondnagel W-DN
Art.nr.: 09053645; 090536 35 |
| 2. Gebruiksdoel(en): | Spreadend anker met wegcontrole van galvanisch verzinkt staal voor gebruik als meervoudige bevestiging van niet-dragende systemen in beton |
| 3. Fabrikant: | Adolf Würth GmbH & Co. KG
Reinhold-Würth-Str. 12 - 17
D - 74653 Künzelsau |
| 4. Systeem/systemen voor beoordeling en verificatie van de prestatiebestendigheid: | Systeem 2+ |
| 5. Europees beoordelingsdocument:
Europese technische beoordeling:
Technische beoordelingsinstantie:
Aangemelde instantie(s): | ETAG 001 deel 6 - augustus 2010
ETA-12/0029 - 09/12/2016
Deutsches Institut für Bautechnik (DIBt), Berlijn
2873, Institut für Stahlbau und Werkstoffmechanik (IFSW), Darmstadt |
| 6. Vastgestelde prestatie(s): | |


Belangrijkste eigenschappen	Prestatie	Geharmoniseerde technische specificatie
Brandveiligheid (BWR 2)		ETA-12/0029 ETAG 001 deel 6 - augustus 2010
Brandgedrag	Klasse A1	
Brandweerstand	Zie bijlage C2	
Gebruiksveiligheid (BWR 4)		
Karakteristieke waarden van de weerstand in beton	Zie bijlage C1	

De prestatie van het bovenvermelde product voldoet aan de vastgestelde prestatie(s). Voor het opstellen van de prestatieverklaring overeenkomstig verordening (EU) nr. 305/2011 is uitsluitend de bovengenoemde fabrikant verantwoordelijk.

Ondertekend voor de fabrikant en in naam van de fabrikant door:



Frank Wolpert
(Procuratiehouder - Hoofd Marketing)



dr.-ing. Siegfried Beichter
(Procuratiehouder - Hoofd Kwaliteit)

Künzelsau, 01/04/2021

YTELSESERKLÆRING

Nr. LE_09053645_02_M_W-DN

**Dette er en versjon som er oversatt fra tysk.
Skulle det oppstå tvil, gjelder den tyske originalen**

1. Entydig kode for produkttypen: Würth taknagle W-DN
Art.-nr.: 09053645; 090536 35
2. Bruksområde: Veikontrollert ekspanderende plugg i galvanisk forsinket stål for bruk som multifestemiddel av ikke-bærende systemer i betong
3. Produsent: Adolf Würth GmbH & Co. KG
Reinhold-Würth-Str. 12 - 17
D - 74653 Künzelsau
4. System(er) til vurdering og kontroll av ytelsesbestandigheten: System 2+
5. Europeisk vurderingsdokument: ETAG 001 del 6 - august 2010
Europeisk teknisk godkjenning: ETA-12/0029 - 09.12.2016
Teknisk godkjenningsorgan: Deutsches Institut für Bautechnik, Berlin
Teknisk(e) kontrollorgan(er): 2873, Institut für Stahlbau und Werkstoffmechanik (IFSW), Darmstadt, Tyskland
6. Erklært(e) ytelse(r):


Vesentlige egenskaper	Ytelse	Harmonisert teknisk spesifikasjon
Brannvern (BWR 2)		ETA-12/0029 ETAG 001 del 6 - august 2010
Egenskaper ved brann	Klasse A1	
Brannmotstand	Se vedlegg C2	
Sikkerhet ved bruk (BWR 4)		
Karakteristiske verdier for motstand i betong	Se vedlegg C1	

Ytelsen til dette produktet tilsvarende den erklærte ytelsen / de erklærte ytelsene. Produsenten som er nevnt over, er eneansvarlig for at det lages en ytelseserklæring i henhold til forordningen (EU) nr. 305/2011.

Undertegnet for produsenten og på vegne av produsenten:



Frank Wolpert
(prokurist - leder området marked)



Dr. ing. Siegfried Beichter
(prokurist - leder kvalitet)

Künzelsau, den 01.04.2021

DEKLARACJA WŁAŚCIWOŚCI UŻYTKOWYCH

Nr LE_09053645_02_M_W-DN

**Ten dokument jest wersją przełożoną z języka niemieckiego.
W razie wątpliwości obowiązuje wersja niemiecka.**

- | | |
|--|---|
| 1. Niepowtarzalny kod identyfikacyjny typu produktu: | Würth kołek stropowy W-DN
Nr artykułu: 09053645; 090536 35 |
| 2. Przeznaczenie: | kołek rozporowy o kontrolowanej drodze, ze stali ocynkowanej galwanicznie, do zastosowania w roli wielokrotnych mocowań nienośnych systemów w betonie |
| 3. Producent: | Adolf Würth GmbH & Co. KG
Reinhold-Würth-Str. 12 - 17
D - 74653 Künzelsau |
| 4. System (systemy) oceny i weryfikacji stałości właściwości użytkowych: | System 2+ |
| 5. Europejski dokument oceny:
Europejska Ocena Techniczna:
Placówka sporządzająca ocenę techniczną:
Jednostka/-i notyfikowana/-e: | ETAG 001 część 6 - sierpień 2010 r.
ETA-12/0029 - 09.12.2016 r.
Deutsches Institut für Bautechnik (DIBt), Berlin

2873, Institut für Stahlbau und Werkstoffmechanik (Instytut konstrukcji stalowych i mechaniki tworzyw), Darmstadt |
| 6. Deklarowane właściwości użytkowe: | |

Istotne cechy	Właściwości użytkowe	Zharmonizowana specyfikacja techniczna
Ochrona przeciwpożarowa (BWR 2)		ETA-12/0029 ETAG 001 część 6 - sierpień 2010 r.
Klasyfikacja ogniowa	Klasa A1	
Odporność ogniowa	Patrz załącznik C2	
Bezpieczeństwo przy użyciu (BWR 4)		
Wartości charakterystyczne oporu w betonie	Patrz załącznik C1	

Właściwości użytkowe powyższego produktu pokrywają się z deklarowanymi właściwościami użytkowymi. Za sporządzenie deklaracji właściwości użytkowych zgodnie z rozporządzeniem (UE) nr 305/2011 odpowiedzialny jest wyłącznie wyżej wymieniony producent.

Podpisano za producenta i w jego imieniu:



Frank Wolpert
(Prokurent - Kierownik działu ds. rynku)



Dr inż. Siegfried Beichter
(Prokurent - Kierownik działu jakości)

Künzelsau, dnia 01.04.2021 r.

DECLARAÇÃO DE DESEMPENHO

N.º LE_09053645_02_M_W-DN

Versão traduzida da versão alemã.
Em caso de dúvida, é válido o original em alemão

- Código de identificação inequívoco do tipo de produto:** Pregos para tetos W-DN Würth
N.º art.: 09053645; 090536 35
- Fim/fins de utilização:** Bucha de expansão, de deformação controlada, em aço zincado galvanizado, para utilização como fixação múltipla de sistemas não portantes em betão
- Fabricante:** Adolf Würth GmbH & Co. KG
Reinhold-Würth-Str. 12 - 17
D - 74653 Künzelsau
- Sistema(s) para avaliação e verificação da constância do desempenho:** Sistema 2+
- Documento de Avaliação Europeu:** ETAG 001, parte 6 - Agosto de 2010
Avaliação Técnica Europeia: ETA-12/0029 - 09.12.2016
Organismo de Avaliação Técnica: Deutsches Institut für Bautechnik (DIBt), Berlim
Organismo(s) notificado(s): 2873, Institut für Stahlbau und Werkstoffmechanik (IFSW), Darmstadt
- Desempenho(s) declarado(s):**

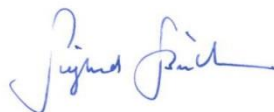
Características essenciais	Desempenho	Especificação técnica harmonizada
Proteção contra incêndio (BWR 2)		ETA-12/0029 ETAG 001 parte 6 - Agosto de 2010
Reação ao fogo	Classe A1	
Resistência ao fogo	Veja anexo C2	
Segurança de utilização (BWR 4)		
Valores característicos da resistência no betão	Veja anexo C1	

O desempenho do produto corresponde ao desempenho declarado / aos desempenhos declarados. O fabricante acima mencionado é o único responsável pela elaboração da declaração de desempenho, em conformidade com o Regulamento (UE) n.º 305/2011.

Assinado pelo fabricante e em nome do fabricante de:



Frank Wolpert
(Procurador - Diretor do segmento do mercado)



Dr. Eng.º Siegfried Beichter
(Procurador - Diretor de qualidade)

Künzelsau, a 01.04.2021

ДЕКЛАРАЦИЯ ХАРАКТЕРИСТИК

№ LE_09053645_02_M_W-DN

**Здесь речь идет о переведенной с немецкого языка версии.
В случае сомнений руководствоваться немецким оригиналом**

- | | |
|--|--|
| 1. Однозначная маркировка типа продукта: | Потолочный гвоздь Würth W-DN
Арт.№: 09053645; 090536 35 |
| 2. Цель(и) применения: | Дюбель с контролем перемещения из гальванически оцинкованной стали для многократного закрепления несущих систем в бетоне |
| 3. Изготовитель: | Adolf Würth GmbH & Co. KG
Reinhold-Würth-Str. 12 - 17
D - 74653 Künzelsau |
| 4. Система(ы) для оценки и проверки стабильности характеристик: | Система 2+ |
| 5. Европейский оценочный документ:
Европейская техническая оценка:
Орган технической оценки
Уполномоченный(е) орган(ы): | ETAG 001 Часть 6 – август 2010
ETA-12/0029 – 09.12.2016
Германский институт строительных технологий (DIBt), Берлин
2873, Институт строительных конструкций и механики материалов (IFSW),
Дармштадт |
| 6. Заявленная(-ые) характеристика(-и): | |

Важные признаки	Характеристика	Гармонизированная техническая спецификация
Противопожарная защита (BWR 2)		ETA-12/0029 ETAG 001 Часть 6 – август 2010
Огнестойкость	Класс А1	
Огнестойкость	См. Приложение С2	
Безопасность в использовании (BWR 4)		
Типичные значения сопротивления в бетоне	См. Приложение С1	

Характеристика вышеприведенного продукта соответствует заявленной(-ым) характеристике/характеристикам. За составление декларации характеристик в соответствии с предписанием (EU) № 305/2011 отвечает исключительно вышеупомянутый изготовитель.

Подписано за изготовителя и от имени изготовителя:



Франк Вольперт
(Прокуриснт – Нач. отд. маркетинга)



Д-р-инж. Зигфрид Байхтер
(Прокуриснт - Нач. ОТК)

Кюнцельзау, 01.04.2021

DECLARAȚIE DE PERFORMANȚĂ**Nr. LE_09053645_02_M_W-DN**

**Prezenta versiune este o traducere din limba germană.
În caz de dubiu, se aplică originalul în limba germană**

1. Cod unic de identificare al tipului de produs: Ancoră de tavan W-DN Würth
Articol Nr.: 09053645; 090536 35
2. Scopul sau scopurile de utilizare: Diblu de expansiune cu traseu controlat, din oțel zincat galvanic, pentru utilizare ca fixare multiplă în sisteme neportante în beton.
3. Producător: Adolf Würth GmbH & Co. KG
Reinhold- Würth-Str. 12 - 17
D - 74653 Künzelsau
4. Sistem(e) pentru evaluarea și verificarea constanței performanței: Sistem 2+
5. Document european de evaluare: ETAG 001, Partea a 6-a - August 2010
Evaluare tehnică europeană: ETA-12/0029 - 09.12.2016
Organism de evaluare tehnică: Deutsches Institut für Bautechnik (DIBt), Berlin
Organism(e) notificat(e): 2873, Institut für Stahlbau und Werkstoffmechanik (IFSW), Darmstadt (Institutul pentru construcții metalice și mecanica materialelor)
6. Performanța(e) declarată(e):

Caracteristici esențiale	Performanță	Specificație tehnică armonizată
Protecție contra incendiilor (BWR 2)		ETA-12/0029 ETAG 001, Partea a 6-a - August 2010
Comportament la incendiu	Clasa A1	
Rezistență la foc	A se vedea anexa C2	
Siguranță în utilizare (BWR 4)		
Valori caracteristice ale rezistenței în beton	A se vedea anexa C1	

Performanța produsului prezentat este în conformitate cu performanța declarată / cu performanțele declarate. Pentru realizarea declarației de performanță în conformitate cu Ordonanța (UE) nr. 305/2011, singurul responsabil este producătorul menționat mai sus.

Semnată pentru și în numele producătorului, de către:



Frank Wolpert
(Reprezentant legal - director
departament marketing)



Dr.-Ing. Siegfried Beichter
(Reprezentant legal - director calitate)

Künzelsau, 01.04.2021

VYHLÁSENIE O VLASTNOSTIACH

Č. LE_09053645_02_M_W-DN

**Jedná sa tu o preloženú nemeckú verziu.
V prípade pochybností platí nemecký originál**

1. Jednoznačný identifikačný kód typu: Stropný klinec Würth W-DN
Výr. č.: 09053645; 090536 35
2. Účel(y) použitia: Rozpínacia hmoždinka kontrolujúca dráhu z galvanicky pozinkovanej oceli na použitie ako viacnásobné upevnenie nenosných systémov v betóne
3. Výrobca: Adolf Würth GmbH & Co. KG
Reinhold-Würth-Str. 12 - 17
D - 74653 Künzelsau
4. Systém (systémy) na posúdenie a kontrolu stálosti parametrov: Systém 2+
5. Európsky posudzovací dokument: ETAG 001 Časť 6 - august 2010
Európske technické posúdenie: ETA-12/0029 - 09. 12. 2016
Technické vyhodnocovacie oddelenie: Deutsches Institut für Bautechnik (Nemecký inštitút pre stavebnú techniku) (DIBt), Berlín
Notifikovaný orgán(y): 2873, Ústav pre oceľové konštrukcie a mechaniku materiálov (IFSW), Darmstadt
6. Vlastnosť(i) uvedené vo vyhlásení:

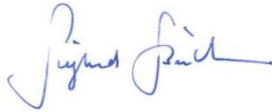
Podstatné znaky	Vlastnosť	Harmonizovaná technická špecifikácia
Protipožiarna ochrana (BWR 2)		ETA-12/0029 ETAG 001 Časť 6 - august 2010
Reakcia látky pri požiari	Trieda A1	
Požiarne odolnosť	Pozri prílohu C2	
Bezpečnosť pri používaní (BWR 4)		
Charakteristické hodnoty odolnosti v betóne	Pozri prílohu C1	

Vlastnosť vyššie uvedeného produktu zodpovedá vyhlásenej vlastnosti / vyhláseným vlastnostiam. Na vyhotovenie vyhlásenia o parametroch v súlade s nariadením (EÚ) č. 305/2011 je zodpovedný sám vyššie uvedený výrobca.

Podpísané pre výrobcu a v mene výrobcu:



Frank Wolpert
(Prokurista - vedúci oblasti trhu)



Dr. -Ing. Siegfried Beichter
(Prokurista - vedúci kvality)

Künzelsau, dňa 01. 04. 2021

IZJAVA O LASTNOSTIH

Št. LE_09053645_02_M_W-DN

**To besedilo je prevod iz nemščine.
Ob dvomu velja nemški izvirnik**

1. Enotna identifikacijska oznaka tipa izdelka: Kovinski zatič Würth W-DN
Št. art.: 09053645; 090536 35
2. Nameni uporabe: Vložki iz galvansko pocinkanega jekla z nadzorovano potjo raztezanja za uporabo za večkratne pritrditve nenosilnih sistemov v betonu
3. Proizvajalec: Adolf Würth GmbH & Co. KG
Reinhold-Würth-Str. 12 - 17
D - 74653 Künzelsau, Nemčija
4. Sistemi za vrednotenje in preverjanje trajnosti lastnosti: Sistem 2+
5. Evropski ocenjevalni dokument: ETAG 001, del 6 - avgust 2010
Evropsko tehnično vrednotenje: ETA-12/0029 - 09. 12. 2016
Organ, ki je opravil tehnično vrednotenje: Deutsches Institut für Bautechnik (DIBt), Berlin
Obveščeni organ: 2873, Institut für Stahlbau und Werkstoffmechanik (IFSW), Darmstadt
6. Navedene lastnosti:

Bistvene značilnosti	Lastnost	Harmonizirana tehnična specifikacija
Protipožarna zaščita (BWR 2)		ETA-12/0029 ETAG 001, del 6 - avgust 2010
Požarne lastnosti	Razred A1	
Požarna odpornost	Glejte Prilogo C2	
Varnost pri uporabi (BWR 4)		
Značilne vrednosti upora v betonu	Glejte Prilogo C1	

Lastnosti tega izdelka ustrezajo navedenim lastnostim. Za pripravo izjave o lastnostih po uredbi (EU) št. 305/2011 je odgovoren izključno zgoraj navedeni proizvajalec.

Podpis za proizvajalca in v njegovem imenu:



Frank Wolpert
(prokurist - vodja oddelka za trženje)



Dr. -Ing. Siegfried Beichter
(prokurist - vodja za kakovost)

Künzelsau, 1. 4. 2021

PRESTANDEKLARATION

Nr. LE_09053645_02_M_W-DN

**Denna version är översatt från tyska.
I tveksamma fall gäller originalet på tyska.**

- 1. Produkttypens unika identifikationskod:** Würth takspik W-DN
Art.-nr.: 09053645; 090536 35
- 2. Användningsändamål:** Vägkontrollerad expansionsplugg av galvaniskt förzinkat stål för användning som multibefästning av ej bärande system i betong
- 3. Tillverkare:** Adolf Würth GmbH & Co. KG
Reinhold-Würth-Str. 12 - 17
D - 74653 Künzelsau
- 4. System för bedömning och kontroll av prestandabeständighet:** System 2+
- 5. Europeiskt bedömningsdokument:** ETAG 001 del 6 - augusti 2010
Europeisk teknisk bedömning: ETA-12/0029 - 2016-12-09
Tekniskt bedömningsorgan: Deutsches Institut für Bautechnik (DIBt), Berlin
Notificerade organ: 2873, Institut für Stahlbau und Werkstoffmechanik (IFSW), Darmstadt
- 6. Deklarerad prestanda:**


Väsentliga egenskaper	Prestanda	Harmoniserad teknisk specifikation
Brandskydd (BWR 2)		ETA-12/0029 ETAG 001 del 6 - augusti 2010
Branduppförande	Klass A1	
Brandmotstånd	Se Bilaga C2	
Säkerhet vid användning (BWR 4)		
Karakteristiska värden för motstånd i betong	Se Bilaga C1	

Ovanstående produkts prestanda överensstämmer med den prestanda som anges. Denna prestandadeklaration utfärdas i överensstämmelse med förordning (EU) nr. 305/2011 på eget ansvar av ovanstående tillverkare.

Undertecknad för tillverkaren och på tillverkarens vägnar av:



Frank Wolpert
(Prokurist - Chef Område marknad)



Dr.-ing. Siegfried Beichter
(Prokurist - Chef Kvalitet)

Künzelsau, 2021-04-01

PERFORMANS BEYANI

No. LE_090401006_00_M_W-ED(1)

**Bu metin, Almanca dilinden yapılmış bir çeviridir.
Şüpheli durumlarda Almanca orijinal metin geçerli olacaktır**

- Ürün tipinin açık kodu: Würth Çakma dübel W-ED
Ürün No. 0904010*; 0904040*; 0904030*
- Kullanma amacı (amaçları): Yırtılmamış betona ankraj amacıyla deformasyonu kontrol edilmiş çelik dübel
- Üretici: Adolf Würth GmbH & Co. KG
Reinhold-Würth-Str. 12 - 17
D - 74653 Künzelsau
Sistem 1
- Performansın sürdürülebilirliğinin değerlendirilmesi ve kontrolü için sistem(ler):
- Avrupa Değerlendirme Belgesi: ETAG 001 Bölüm 4 - Nisan 2013
Avrupa Teknik Değerlendirmesi: ETA-02/0044 - 01.03.2016
Teknik Değerlendirme Kuruluşu: Deutsches Institut für Bautechnik (DIBt), Berlin
Akredite kuruluş(lar): 2873, Institut für Stahlbau und Werkstoffmechanik (IFSW), Darmstadt
- Beyan edilen performans(lar):

Önemli özellikler	Performans	Uyumlandırılmış teknik nitelik	
Mekanik dayanıklılık ve kararlılık (BWR 1)			
Direncin çekme yüküne ve yan yüke ve betonda bükülmeye karşı karakteristik değerleri	Bkz. Ek C1 ila C4	ETA-02/0044 ETAG 001 Bölüm 4 Nisan 2013	
Kenar ve eksen mesafeleri	Bkz. Ek C1 ila C2		
Çekme yükleri ve yan yükler altında kaydırmalar	Bkz. Ek C5		
Yangından koruma (BWR 2)			
Yangındaki tutum	Sınıf A1		
Yangına dayanıklılık	Bir performans belirlenmedi		

Mevcut ürünün performansı, beyan edilen performansa/beyan edilen performanslara uygundur. Performans beyanınının 305/2011 numaralı yönetmelikle (AB) uyumlu olarak oluşturulmasından üretici tek başına sorumludur.

Üretici için ve üretici adına imzalayan:



Frank Wolpert
(İmzaya Yetkili Pazarlar Bölümü
Yöneticisi)



Dr. Müh. Siegfried Beichter
(İmzaya Yetkili Kalite Yöneticisi)

Künzelsau, 01.04.2021